

H



JAY R. SMITH MFG. CO.®
 MEMBER OF MORRIS GROUP INTERNATIONAL
 POST OFFICE BOX 3237
 MONTGOMERY, ALABAMA 36109-0237 (USA)
 TEL: 334-277-8520 FAX: 334-272-7396 www.jrsmith.com



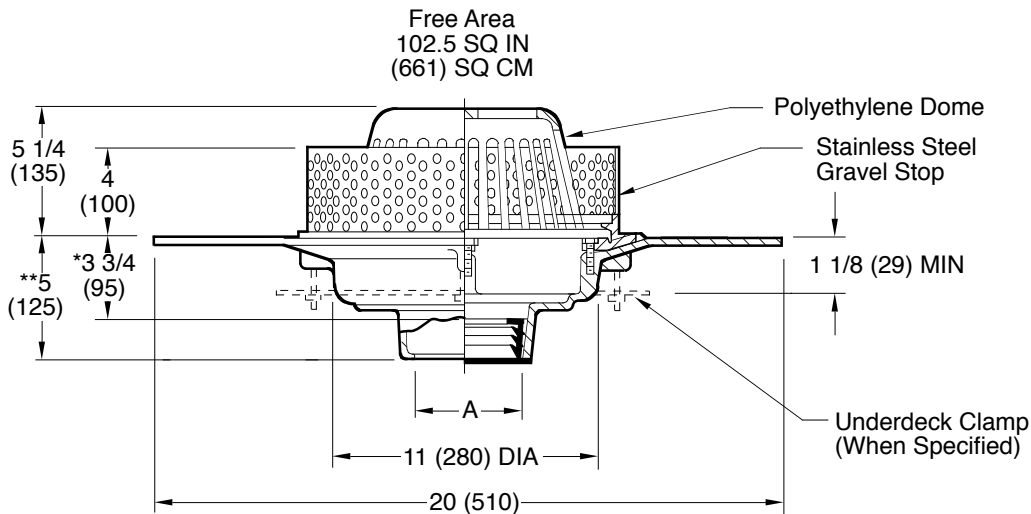
MEMBER OF:

LOCATION

ROOF DRAINS

IRMA ROOF APPLICATIONS

FUNCTION: Used in roof systems where the insulated membrane assembly method of waterproofing is provided. Fig. 1019 is utilized with a liquid membrane waterproofing. A 4" (100) high perforated stainless steel gravel stop is supplied to retain the crushed gravel used in IRMA flat roof construction.



A (Pipe Size) = 02(50), 03(75), 04(100), 05(125) or 06(150)

NOTE: Stated flow rates for roof drains are based on particular test piping configurations and dimensions. Installed roof drain flow rates cannot be stated unless the attached piping configuration is known and the effects of the drainage calculated.

- Fig. 1019C CAULK OUTLET
- Fig. 1019Y NO-HUB OUTLET

* This Dimension to Internal Stop of Speedi-Set Gasket.
 **Same for Caulk, NO-HUB and Speedi-Set. 3 3/4(95) for Threaded.

NOTE: Recommended deck opening 14(355).

REGULARLY FURNISHED:

Duco Cast Iron Wide Flange Body with Flashing Clamp
 1/16"(2) Thick 4"(100) High Stainless Steel Perforated Gravel Stop with 3/8"(10) Dia. Openings and Polyethylene Dome.

VARIATIONS:

- Expansion Joint (Specify Fig. 1710)
- Higher Gravel Stop -HGS (Specify Height)
- "L" Shaped Underdeck Clamp -CL
- L Speedi-Set Service Weight 02(50), 03(75) & 04"(100) sizes only
- LXH Speedi-Set Extra Heavy 02(50), 03(75) & 04"(100) sizes only
- Underdeck Clamp -C
- Vandal Proof Dome -U
- T Threaded Outlet

OPTIONAL MATERIALS:

- ▲ Aluminum Dome -AD
- ▲ Cast Iron Dome -CID
- Galvanized Cast Iron Body and Collar -G
- ▲ Galvanized Cast Iron Dome -CIDG
- ▲ Rough Bronze Dome -RBD

▲ Optional domes' free area are as follows:

Aluminum 98 (632)
 Cast Iron 80 (516)
 Bronze 95 (613)

NOTE: Dimensions shown in parentheses are in millimeters.

DRAWING NUMBER
S1019

SIZE
A

SCALE:
NONE

DATE:
5-24-85

APPROVED BY:
TD

CHECKED BY:
TD

DRAWN BY:
PJ

1019

WE CAN ASSUME NO RESPONSIBILITY FOR USE OF SUPERSEDED OR VOID DATA

DIMENSIONS ARE SUBJECT TO MANUFACTURERS TOLERANCE AND CHANGE WITHOUT NOTICE

H G F	9-17-15 06/03/09 5-26-99	Added Flow Rate Note Added Optional Dome Notes Revised Opt. Mat.	TBW JJ CMD	BW CL BS
REV.	DATE	DESCRIPTION	BY	CKD. BY

WEIGHT POUNDS	VOLUME CUBIC FEET	FIGURE NUMBER
		1019