

N

**SMITH® JAY R. SMITH MFG. CO.®**  
 MEMBER OF MORRIS GROUP INTERNATIONAL  
 POST OFFICE BOX 3237  
 MONTGOMERY, ALABAMA 36109-0237 (USA)  
 TEL: 334-277-8520 FAX: 334-272-7396 www.jrsmith.com



LOCATION

DRAWING NUMBER  
S1018

SIZE  
A

SCALE:  
NONE

DATE:  
5-24-85

APPROVED BY:  
JD

CHECKED BY:  
VGD

DRAWN BY:  
CR

FIGURE NUMBER  
1018

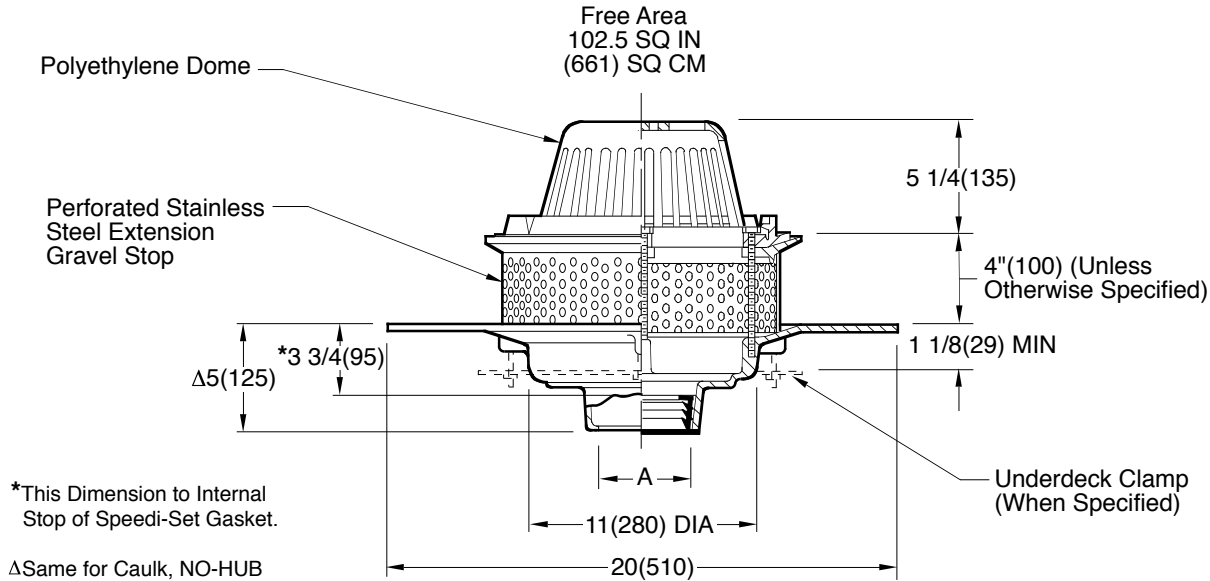
WE CAN ASSUME NO RESPONSIBILITY FOR USE OF SUPERSEDED OR VOID DATA

DIMENSIONS ARE SUBJECT TO MANUFACTURERS TOLERANCE AND CHANGE WITHOUT NOTICE

# ROOF DRAINS

## IRMA ROOF APPLICATIONS

**FUNCTION:** Used in roof systems where the insulated membrane assembly method of waterproofing is provided. Used where a liquid membrane waterproofing is installed. A stainless steel extension gravel stop at height specified is supplied to retain the crushed gravel used in IRMA flat roof construction.



\*This Dimension to Internal Stop of Speedi-Set Gasket.  
 ΔSame for Caulk, NO-HUB and Speedi-Set, 3 3/4(95) for Threaded

A (Pipe Size) = 02(50), 03(75), 04(100), 05(125) or 06(150)

- Fig. 1018C . . . . CAULK OUTLET
- Fig. 1018Y . . . . NO-HUB OUTLET
- Fig. 1018T . . . . THREADED OUTLET

**REGULARLY FURNISHED:**

Duco Cast Iron Wide Flange Body with Flashing Clamp, Perforated Stainless Steel Extension, Gravel Stop and Polyethylene Dome.

**VARIATIONS:**

- Expansion Joint (Specify Fig. 1710)
- Higher Gravel Stop -HGS (Specify Height)
- "L" Shaped Underdeck Clamp -CL
- L Speedi-Set Service Weight 02(50), 03(75) & 04"(100) sizes only
- LXH Speedi-Set Extra Heavy 02(50), 03(75) & 04"(100) sizes only
- Underdeck Clamp -C
- Vandal Proof Dome -U
- Secondary Flashing Clamp -C2

**OPTIONAL MATERIALS:**

- ▲  Aluminum Dome -AD
- ▲  Cast Iron Dome -CID
- ▲  Galvanized Cast Iron Body and Collar -G
- ▲  Galvanized Cast Iron Dome -CIDG
- ▲  Rough Bronze Dome -RBD

▲ **Optional domes' free area are as follows:**

Aluminum	98 (632)
Cast Iron	80 (516)
Bronze	95 (613)

**NOTE:** Stated flow rates for roof drains are based on particular test piping configurations and dimensions. Installed roof drain flow rates cannot be stated unless the attached piping configuration is known and the effects of the drainage calculated.

**NOTE:** Dimensions shown in parentheses are in millimeters.

N	7-25-18	Rev. Var., Add Threaded Outlet	TBW	CL
M	9-17-15	Added Flow Rate Note	TBW	BW
L	06/03/09	Added Optional Dome Notes	JJ	CL
K	5-26-99	Revised Opt. Mat.	CMD	BS
REV.	DATE	DESCRIPTION	BY	CKD. BY

WEIGHT POUNDS	VOLUME CUBIC FEET	FIGURE NUMBER
		<b>1018</b>