



model 1920HPS

High Polished Bottle Filler

FEATURES & BENEFITS

BOTTLE FILLER VALVE

With its patented stainless steel, push-button activated valve assembly which allows for front access stream adjustment as well as cartridge and strainer access, this bottle filler offers 100% lead free waterways. The valve works at an operating pressure range of 30 to 90 psi (2.1 to 6.2 bar).

LAMINAR FLOW

Adjustable, splash-free, 1 gpm (3.78 L) laminar water flow.

EFFICIENT & FLEXIBLE INSTALLATION

Unit is designed for retrofit or new construction applications. No drain required for mounting over existing drinking fountain.

DURABLE BUILD

Good for indoor or outdoor applications (in non-freezing areas). Made with 100% Stainless Steel for vandal resistance.

CONSTRUCTION

Unit is made of 14 gauge Type 304 stainless steel with a high polished finish that resists stains and corrosion, and has soft, rounded corners. Unit features vandal-resistant bottom plate.

MOUNTING OPTIONS

Select from mounting plate and back panel models to complete installation. Unit can mount on various wall types.

PUSH BUTTON

All chrome plated brass push button resists vandalism by allowing it to spin without unscrewing.

OPTIONS

Mounting Plate: Model 6700R on-wall mounting plate is used with the 1920 series bottle fillers for single or dual fountain retrofit installations.

Back Panel: Model BP15HPS, polished stainless steel 15" back panel for Model 1920HPS over single fountains.

Back Panel: Model BP32HPS, polished stainless steel 32" back panel for model 1920HPS bottle filler over dual fountains.

Mounting Plate: Model 6700 in-wall mounting plate is used with the 1920 series bottle fillers for single or dual fountain retrofit installations.

For more information, visit www.hawsc.com or call (888) 640-4297.



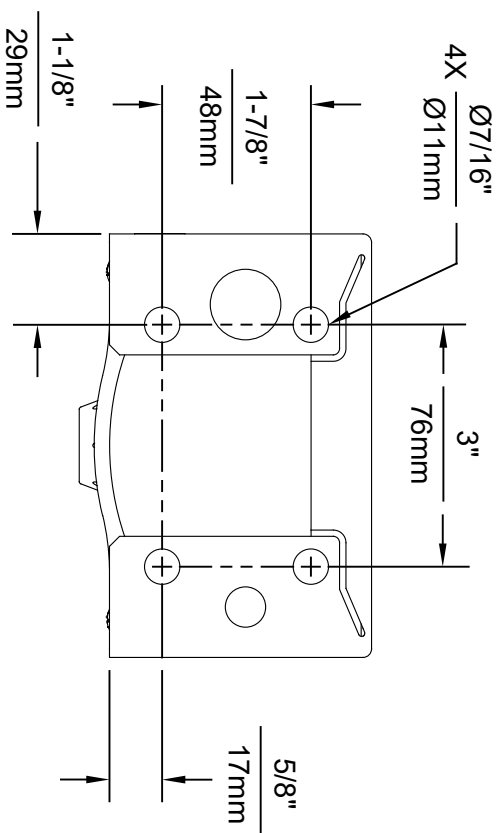
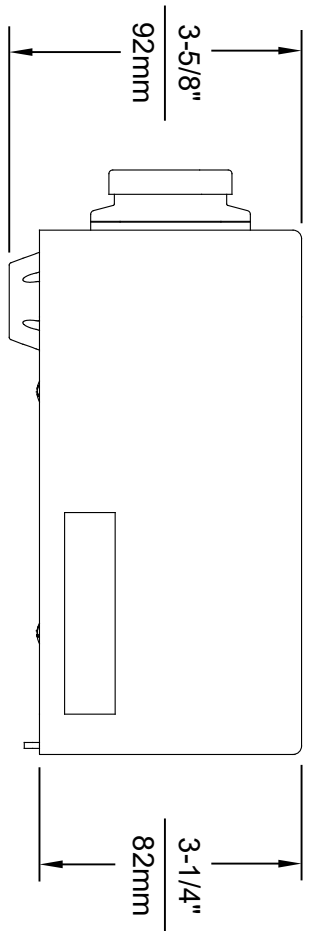
SPECIFICATIONS

Model 1920HPS wall mounted high-polished stainless steel bottle filler shall include 100% lead-free waterways, 1 gpm (3.78 L) laminar flow, push-button operated stainless steel valve with front-accessible cartridge and flow adjustment, and polished stainless steel construction. It can be used as a stand-alone station, or mounted above the Haws® 1001HPS and 1011HPS series drinking fountains.

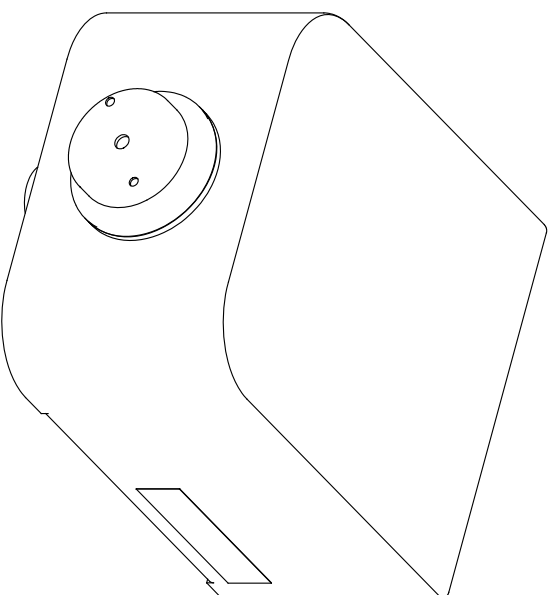
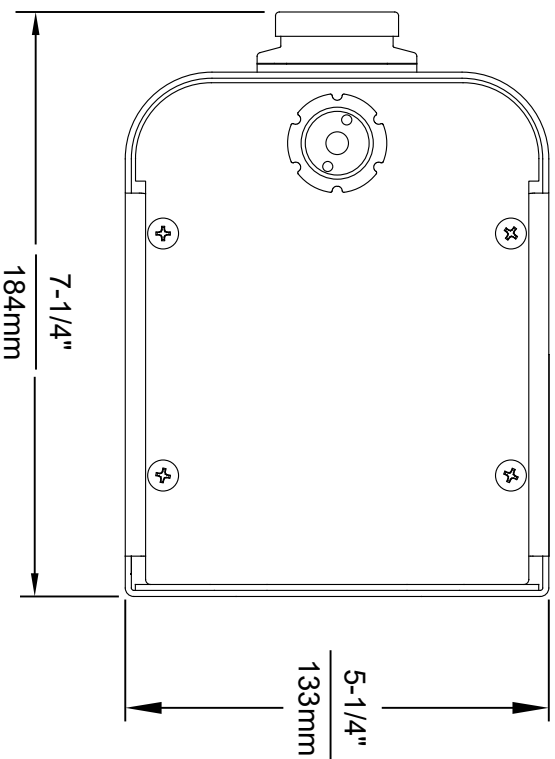
APPLICATIONS

This type of wall mounted bottle filler may be placed in settings such as schools and other locations in and around office buildings with existing fountain installations where the temperature remains above freezing. Haws manufactures drinking fountains, faucets and electric water coolers to be lead-free by all known definitions including NSF/ANSI/CSA 61-Section 9, NSF/ANSI/CSA 372, California Proposition 65, and the Federal Safe Drinking Water Act. Product is compliant to California Health and Safety Code 116875 (AB 1953-2006), and NSF/ANSI/CAN 61: Q ≤ 1.





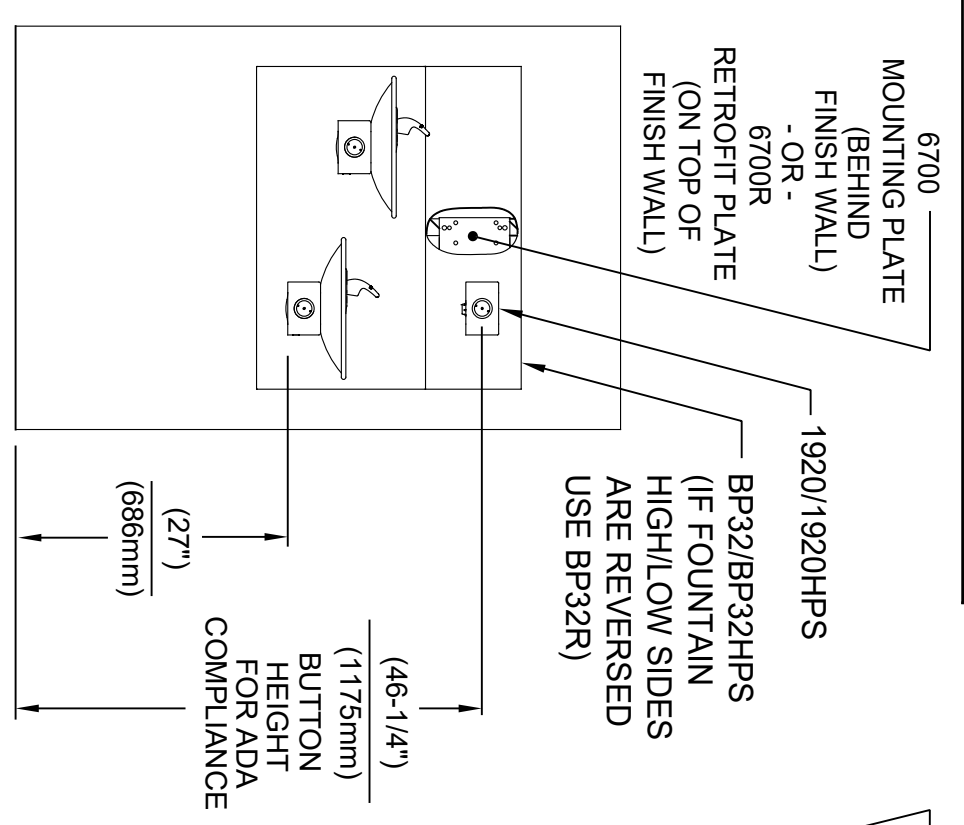
1920 MOUNTING HOLE LOCATIONS



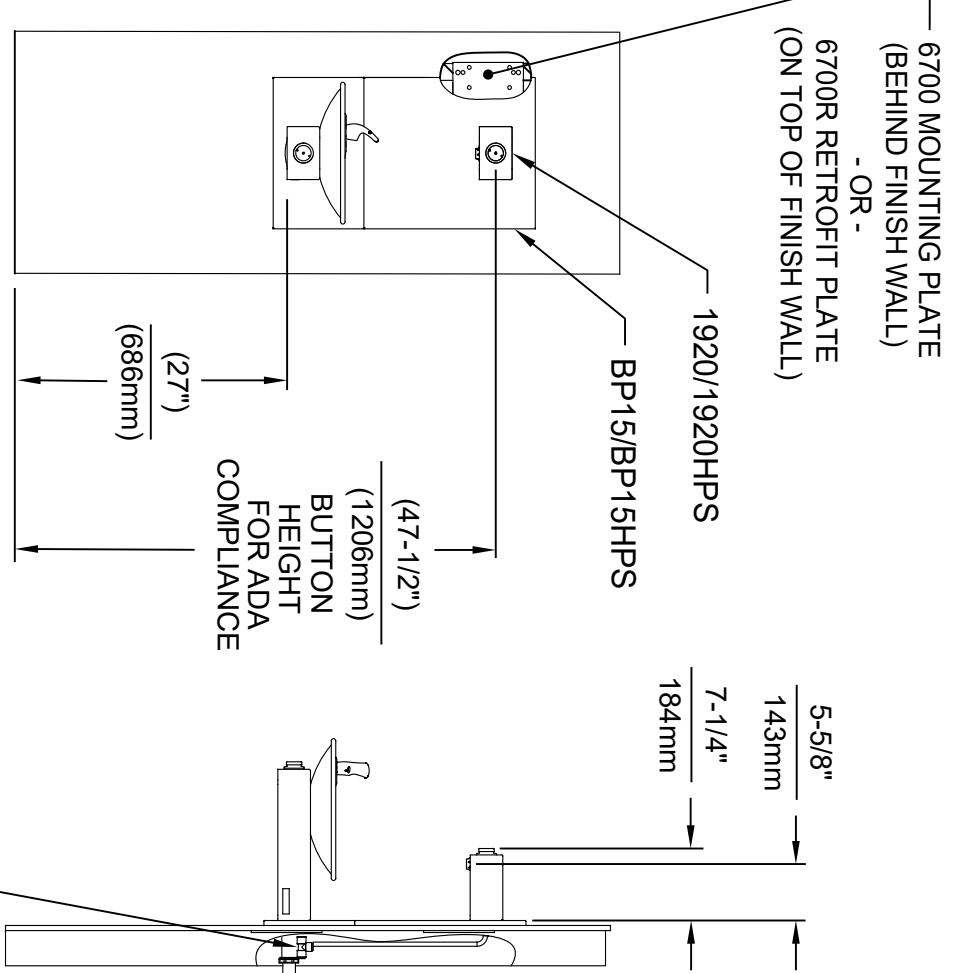
NOTES:

1. SEE SEPARATE INSTALLATION DRAWINGS FOR MOUNTING PLATES AND BACKPANELS
2. WHEN INSTALLING THIS UNIT, LOCAL, STATE OR FEDERAL CODES SHOULD BE ADHERED TO FOR INSTALLATION LOCATIONS, WASTE & SUPPLY REQUIREMENTS OTHER THAN SHOWN.

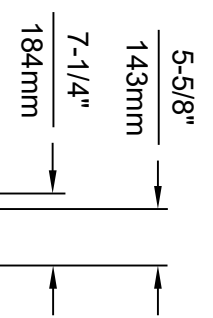
		Haws		1459 KLEPPE LANE SPARKS, NEVADA, 89431 (775) 359-4712 FAX (775) 359-7424 E-MAIL: HAWS@HAWSCO.COM WEBSITE: WWW.HAWSCO.COM	
ECN NO. REVISED PER BY:	MODEL(S)	1920/1920HPS/1920W			
5081 ECN: 5718 FV					
DATE: 06/25/16	CHKD: FV				
APPROVED: JL	DATE: 07/15/21	SCALE: N/A	DRAWING TYPE:	INSTALLATION:	SIZE: A
PART NUMBER		0510000490.D			
REVISION:		9			
SHEET		1 OF 7			



INSTALLATION ABOVE HAWS 1011 & H1011.8 SERIES

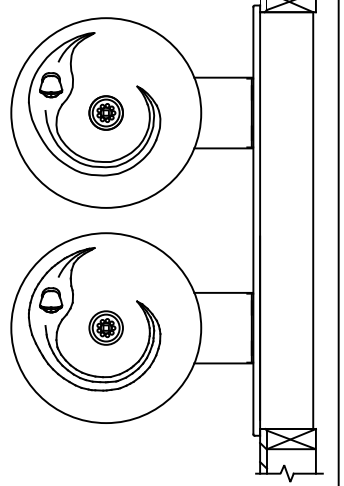


INSTALLATION ABOVE HAWS 1001 & H1001.8 SERIES

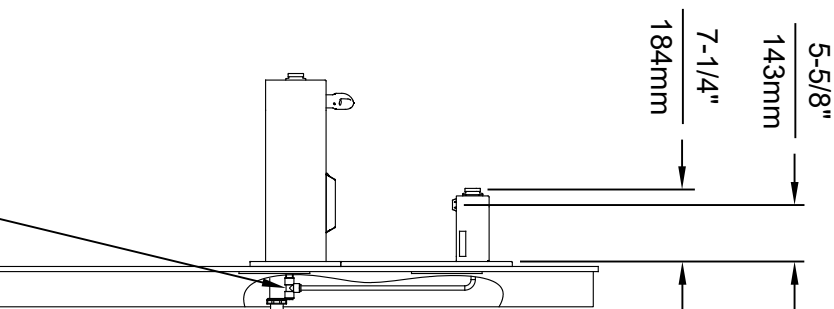
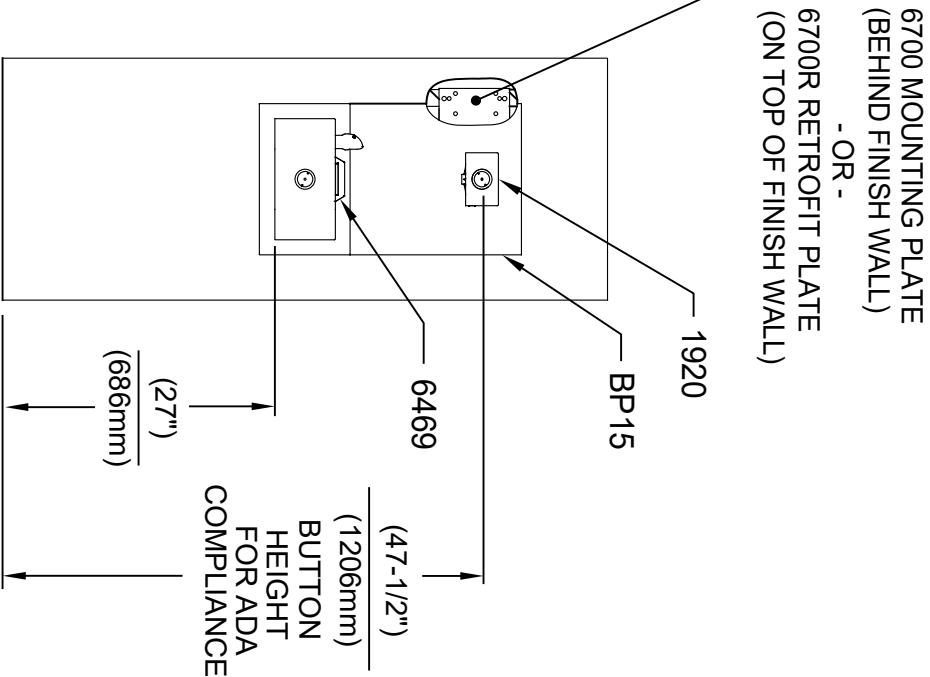
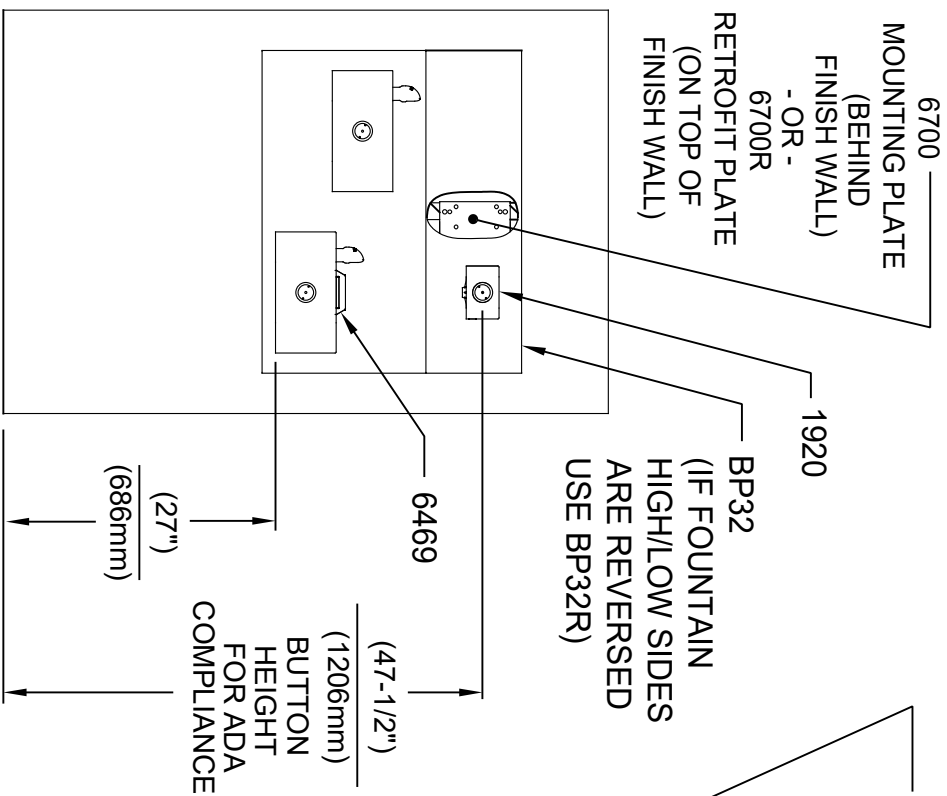


3/8" O.D. SUPPLY TUBING AND 3/8" O.D. PUSH-IN TEE SUPPLIED. (CONNECT TO FOUNTAIN SUPPLY LINE)

- * IF YOUR FOUNTAIN IS THIS STYLE USE THESE DIMENSIONS
1. SEE SEPARATE INSTALLATION DRAWINGS FOR MOUNTING PLATES AND BACKPANELS
 2. WHEN INSTALLING THIS UNIT, LOCAL, STATE OR FEDERAL CODES SHOULD BE ADHERED TO FOR INSTALLATION LOCATIONS, WASTE & SUPPLY REQUIREMENTS OTHER THAN SHOWN.



		Haws	
1459 KLEPPE LANE SPARKS, NEVADA 89431 (775) 359-4712 FAX (775) 359-7424 E-MAIL: HAWS@HAWSCO.COM WEBSITE: WWW.HAWSCO.COM		MODEL(S) 1920/1920HPS/1920W	
ECN NO. REVISED PER BY: 5081 ECN: 5718 EV	DATE: 01/20/17 CHKD: EV	DATE: 07/15/21	SCALE: N/A
APPROVED: JL	DATE: 07/15/21	SCALE: N/A	DRAWING TYPE: INSTALLATION
PART NUMBER 0510000490.D		REVISION: 9	SHEET 2 OF 7



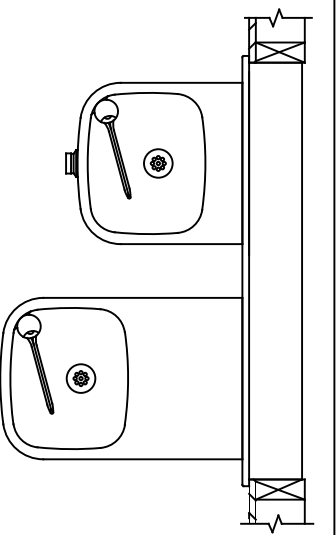
INSTALLATION ABOVE HAWES 11119 & H1119.8 SERIES

INSTALLATION ABOVE HAWES 11109 & H11109.8 SERIES

* IF YOUR FOUNTAIN IS THIS STYLE USE THESE DIMENSIONS

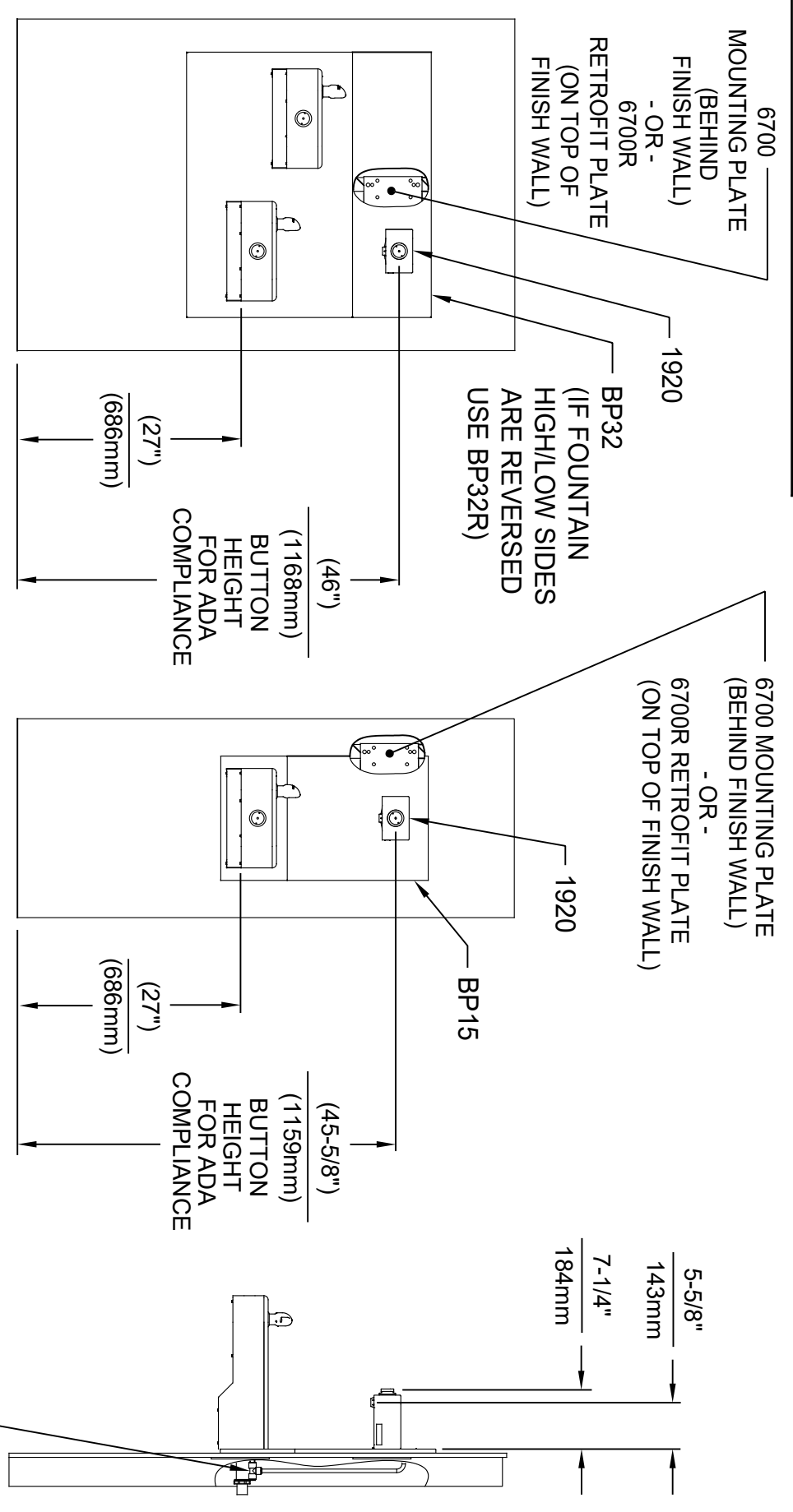
1. SEE SEPARATE INSTALLATION DRAWINGS FOR MOUNTING PLATES, BACKPANELS & DRIP TRAY

2. WHEN INSTALLING THIS UNIT, LOCAL, STATE OR FEDERAL CODES SHOULD BE ADHERED TO FOR INSTALLATION LOCATIONS, WASTE & SUPPLY REQUIREMENTS OTHER THAN SHOWN.



1459 KLEPPE LANE
SPARKS, NEVADA 89431
(775) 359-4712 FAX (775) 359-7424
E-MAIL: HAWES@HAWESCO.COM
WEBSITE: WWW.HAWESCO.COM

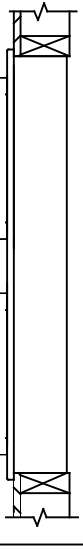
ECN NO. 5081	REVISED PER BY: SMT	DATE: 01/20/17	MODEL(S) 1920/1920HPS/1920W	PART NUMBER 0510000490.D
MD	CHKD: EV	DATE: 07/15/21	SCALE: N/A	REVISION 9
APPROVED: JL	DATE: 07/15/21	SCALE: N/A	DRAWING TYPE: INSTALLATION	SHEET 3 OF 7



INSTALLATION ABOVE HAWS 1117L, H1117.8 & H1117LN.8

INSTALLATION ABOVE HAWS 1107L & H1107.8 SERIES

* IF YOUR FOUNTAIN IS THIS STYLE USE THESE DIMENSIONS



1. SEE SEPARATE INSTALLATION DRAWINGS FOR MOUNTING PLATES AND BACKPANELS

2. WHEN INSTALLING THIS UNIT, LOCAL, STATE OR FEDERAL CODES SHOULD BE ADHERED TO FOR INSTALLATION LOCATIONS, WASTE & SUPPLY REQUIREMENTS OTHER THAN SHOWN.

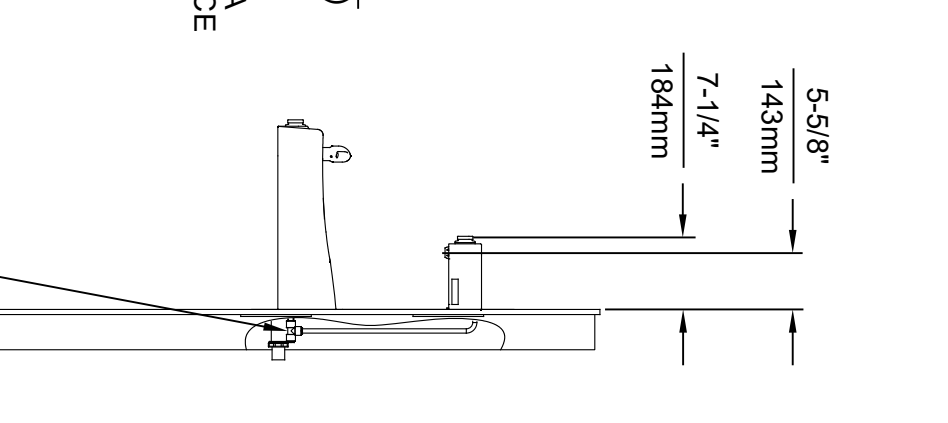
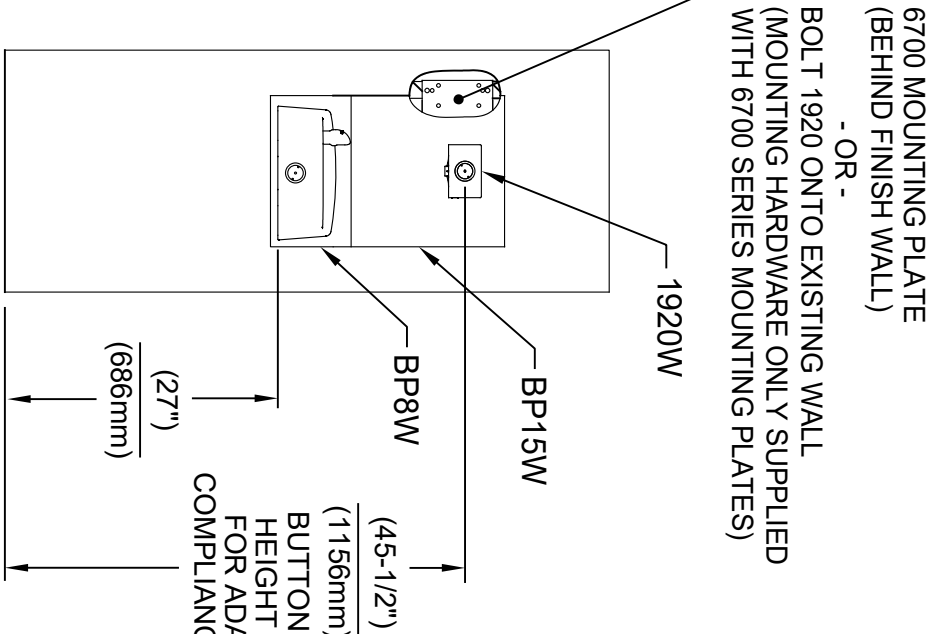
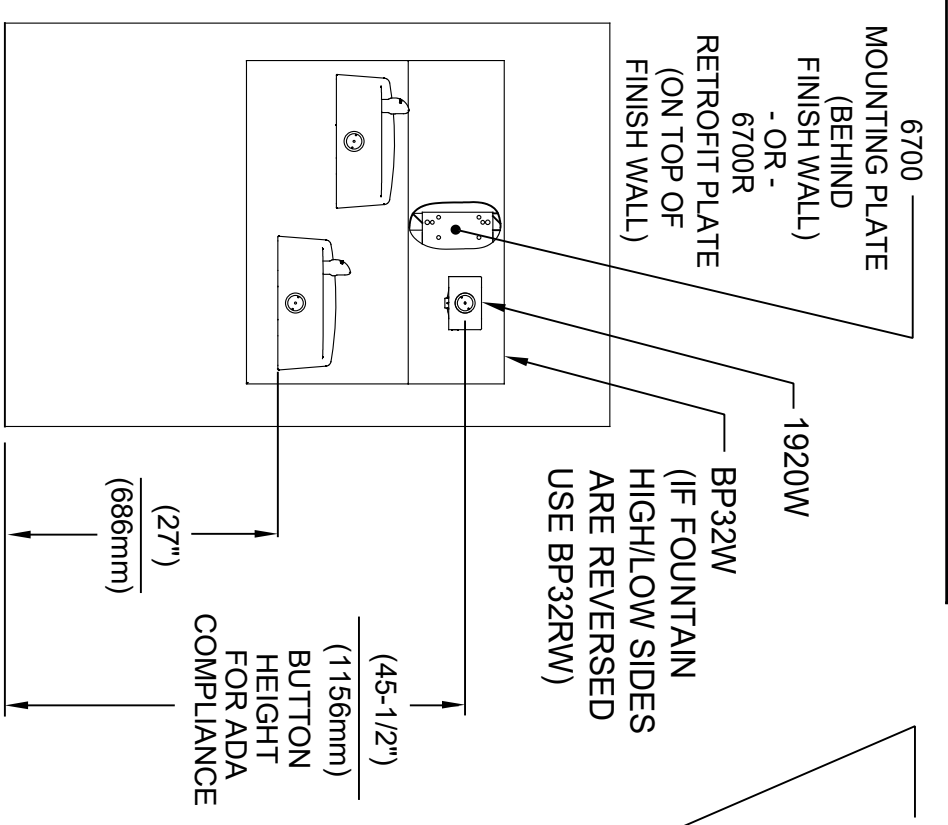
3/8" O.D. SUPPLY TUBING AND 3/8" O.D. PUSH-IN TEE SUPPLIED. (CONNECT TO FOUNTAIN SUPPLY LINE)



Haws

1456 KLEPPE LANE
SPARKS, NEVADA, 89431
(775) 359-4712 FAX (775) 359-7424
E-MAIL: HAWS@HAWSCO.COM
WEBSITE: WWW.HAWSCO.COM

ECN NO. REVISED PER BY:	MODEL(S)	1920/1920HPS/1920W
5081	DATE:	01/20/17
MD	CHK'D:	EV
APPROVED:	DATE:	07/15/21
SCALE:	N/A	DRAWING TYPE:
INSTALLATION:	SIZE:	A
SHEET:	4	OF 7
REVISION:	9	
PART NUMBER:	0510000490.D	

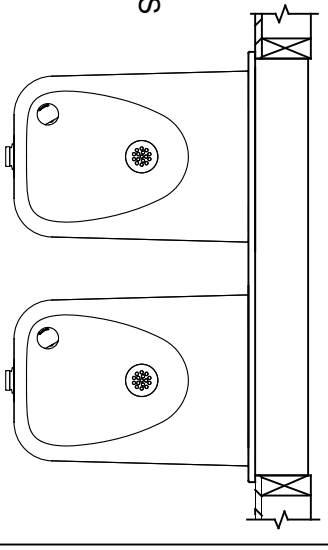


INSTALLATION ABOVE HAWS 1501

INSTALLATION ABOVE HAWS 1311

* IF YOUR FOUNTAIN IS THIS STYLE USE THESE DIMENSIONS

1. SEE SEPERATE INSTALLATION DRAWINGS FOR MOUNTING PLATES AND BACKPANELS
2. WHEN INSTALLING THIS UNIT, LOCAL, STATE OR FEDERAL CODES SHOULD BE ADHERED TO FOR INSTALLATION LOCATIONS, WASTE & SUPPLY REQUIREMENTS OTHER THAN SHOWN.



3/8" O.D. SUPPLY TUBING AND 3/8" O.D. PUSH-IN TEE SUPPLIED. (CONNECT TO FOUNTAIN SUPPLY LINE)

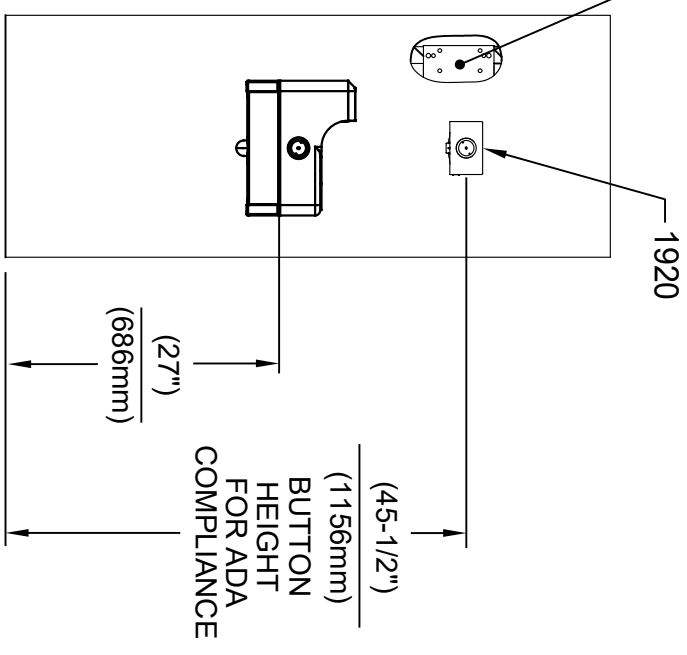


Haws

1456 KLEPPE LANE
SPARKS, NEVADA 89431
(775) 359-4712 FAX (775) 359-7424
E-MAIL: HAWS@HAWSCO.COM
WEBSITE: WWW.HAWSCO.COM

ECN NO. REVISED PER BY:	MODEL(S)	PART NUMBER
5081	1920/1920HPS/1920W	0510000490.D
DATE: 02/13/17	SCALE: N/A	REVISION: 9
CHKD: EV	DRAWING TYPE: INSTALLATION	SHEET 5 OF 7
APPROVED: JL		

6700 MOUNTING PLATE
(BEHIND FINISH WALL)
- OR -
BOLT 1920 ONTO EXISTING WALL
(MOUNTING HARDWARE ONLY SUPPLIED
WITH 6700 SERIES MOUNTING PLATES)

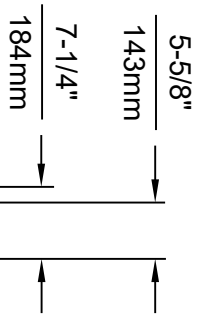


INSTALLATION ABOVE HAWS 1047

* IF YOUR FOUNTAIN IS THIS STYLE USE THESE DIMENSIONS



1. SEE SEPERATE INSTALLATION DRAWINGS FOR MOUNTING PLATES AND BACKPANELS
2. WHEN INSTALLING THIS UNIT, LOCAL, STATE OR FEDERAL CODES SHOULD BE ADHERED TO FOR INSTALLATION LOCATIONS, WASTE & SUPPLY REQUIREMENTS OTHER THAN SHOWN.



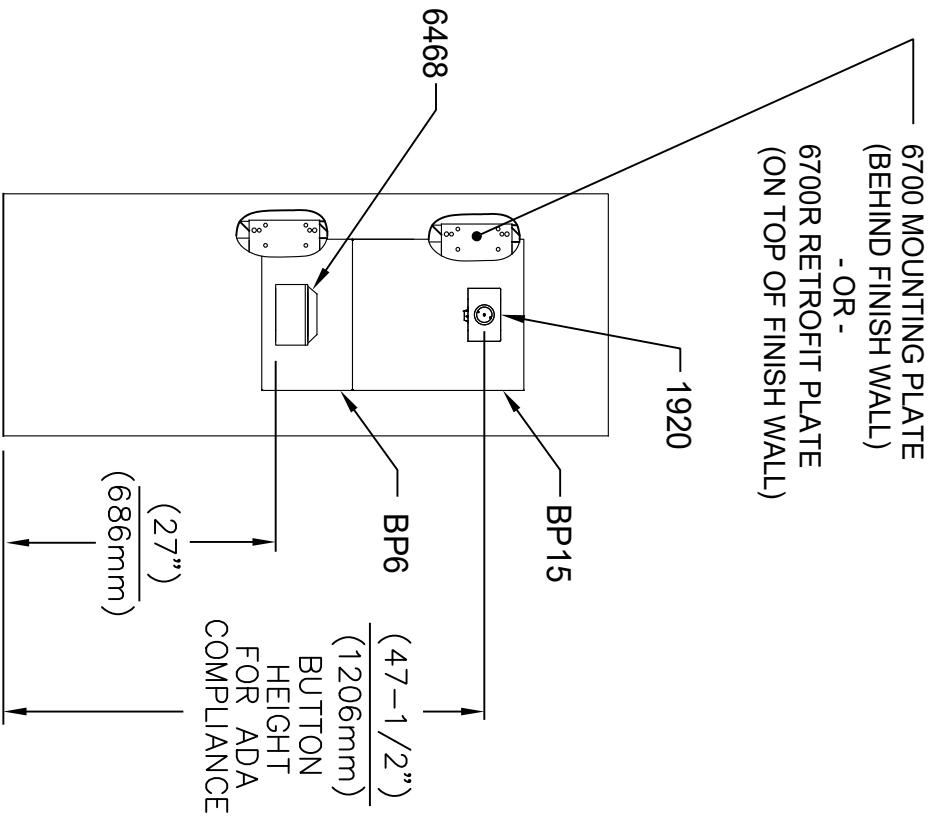
3/8" O.D. SUPPLY TUBING AND 3/8" O.D. PUSH-IN TEE SUPPLIED. (CONNECT TO FOUNTAIN SUPPLY LINE)



Haws

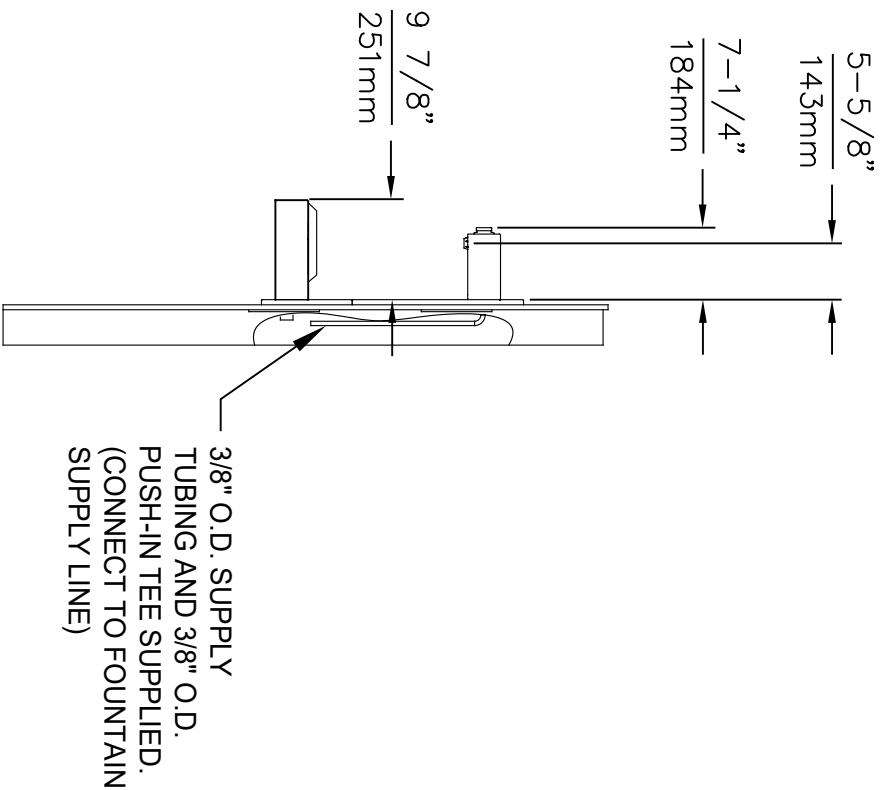
1459 KLEPPE LANE
SPARKS, NEVADA, 89431
(775) 359-4712 FAX (775) 359-7424
E-MAIL: HAWS@HAWSCO.COM
WEBSITE: WWW.HAWSCO.COM

ECN NO. 5220	REVISED PER BY: FV	MODEL(S)	1920/1920HPS/1920W
DATE: 09/14/17	CHKD: FV		
APPROVED: JL	DATE: 07/15/21	SCALE: N/A	DRAWING TYPE: INSTALLATION
		SIZE: A	SHEET 6 OF 7
			REVISION: 9
			PART NUMBER: 0510000490.D



INSTALLATION ABOVE 6468

1. SEE SEPARATE INSTALLATION DRAWINGS FOR MOUNTING PLATES AND BACKPANELS
2. WHEN INSTALLING THIS UNIT, LOCAL, STATE OR FEDERAL CODES SHOULD BE ADHERED TO FOR INSTALLATION LOCATIONS, WASTE & SUPPLY REQUIREMENTS OTHER THAN SHOWN.



		Haws	
1456 KLEPPE LANE SPARKS, NEVADA, 89431 (775) 359-4712 FAX (775) 359-7424 E-MAIL: HAWS@HAWSCO.COM WEBSITE: WWW.HAWSCO.COM			
ECN NO. REVISED PER BY:	DATE:	MODEL(S)	SCALE:
5807	10/27/20	1920/1920HPS/1920W	N/A
CHKD:	DATE:	INSTALLATION	SIZE:
FV	07/15/21		A
APPROVED:	DATE:	SHEET	7 OF 7
JL		9	
PART NUMBER		REVISION	
0510000490.D			