

*For Residential and Commercial Applications*

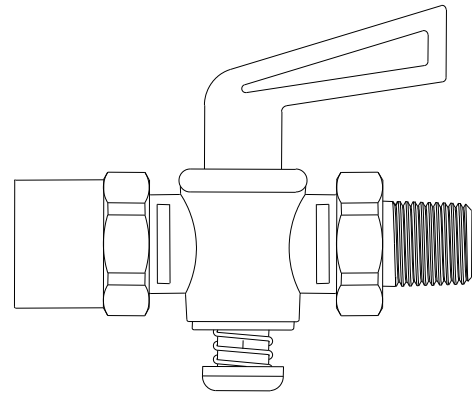
Job Name		Engineer / Architect	
Job Location		Wholesaler	
Submittal Date		Contractor	

## V402 Series Female Iron Pipe to Male Iron Pipe Shut-off Cock

**Use:** For use with low pressure air, water, gas, and fluids (lubricant may not be compatible with some fluids).

**Design Features:**

- **Forged one-piece brass body** provides strength, durability, and long-lasting performance
- **Brass handle** provides a secure grip and smooth on/off operation
- **Manufactured with dryseal pipe threads**



**Operating Specifications:**

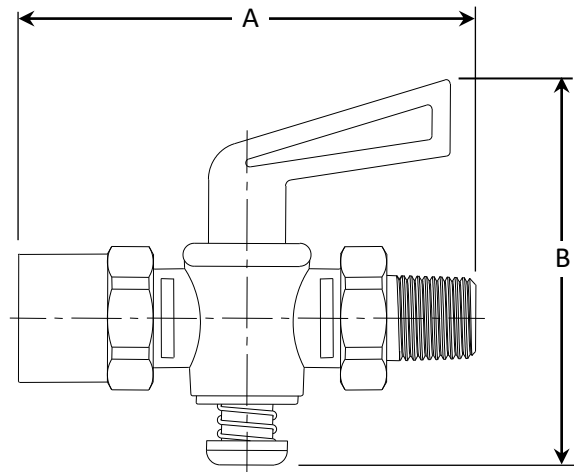
**Temperature:** 32° F - 125° F  
**Working Pressure:** 30 PSI

<b>FITTING MATERIAL SPECIFICATIONS</b>	
<b>Body</b>	Brass
<b>Handle/Stem</b>	Brass
<b>Handle Screw</b>	Steel
<b>Spring</b>	Steel
<b>Washer</b>	Steel

<b>PART DIMENSIONS (Inches)</b>		
<b>Model</b>	<b>DIM. A</b>	<b>DIM. B</b>
V402-2	1.85	1.90
V402-4	1.85	1.90
V402-6	2.25	2.38

**Part Listing:**

- V402-2 1/8" FIP x 1/8" MIP
- V402-4 1/4" FIP x 1/4" MIP
- V402-6 3/8" FIP x 3/8" MIP



*This specification and all information contained herein is the confidential and exclusive property of Brasscraft Manufacturing Company and shall not be disclosed to others without the written consent of Brasscraft Mfg. Co. This specification must be returned to Brasscraft Mfg. Co. if requested.*