



**T&S BRASS AND BRONZE WORKS, INC.**  
 2 Saddleback Cove / P.O. Box 1088  
 Travelers Rest, SC 29690

Model No.  
**HG-4D-48G-SEL**

Item No.

Travelers Rest, SC: 800-476-4103 • Simi Valley, CA: 800-423-0150 • Fax: 864-834-3518 • www.tsbrass.com

This Space for Architect/Engineer Approval

Job Name \_\_\_\_\_ Date \_\_\_\_\_

Model Specified \_\_\_\_\_ Quantity \_\_\_\_\_

Customer/Wholesaler \_\_\_\_\_

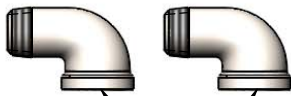
Contractor \_\_\_\_\_

Architect/Engineer \_\_\_\_\_

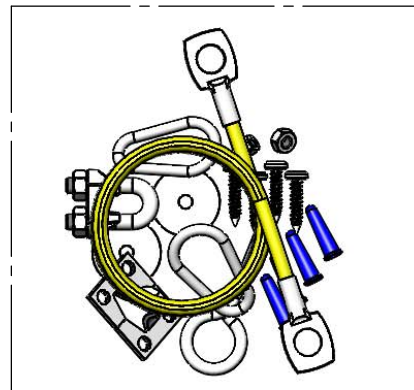
# SAFE-T-GUARD



3/4" NPT x 48" [1219mm] Coated Gas Connector w/ SAFE-T-GUARD Quick Disconnect Valve & SwiveLink Fitting



(2) 3/4" NPT Street Els



AG-RC Restraining Cable Kit

**Product Specifications:**

Safe-T-Link Gas Appliance Connector: 3/4" NPT x 48" Coated Hose w/ 3/4" NPT Quick Disconnect Valve Gas Coupling, SwiveLink, 3/4" NPT Street Elbows & Adjustable Restraining Cable Kit

**Product Compliance:**

ANSI Z21.69 / CSA 6.16  
 NSF 2  
 NFPA 54