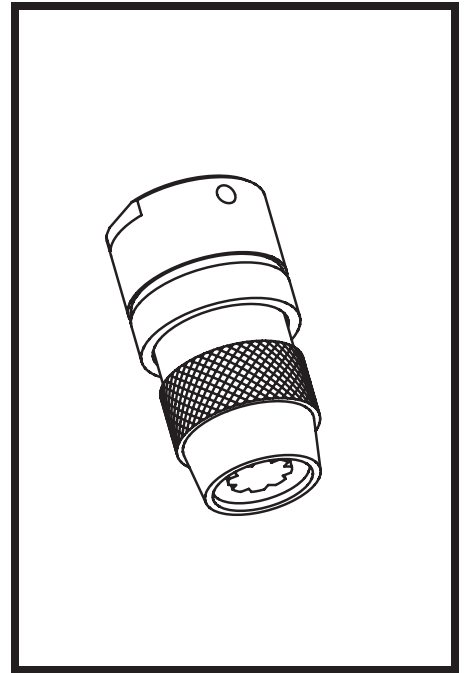


# 4-285F Symmons® Fre-Flo Shower Heads

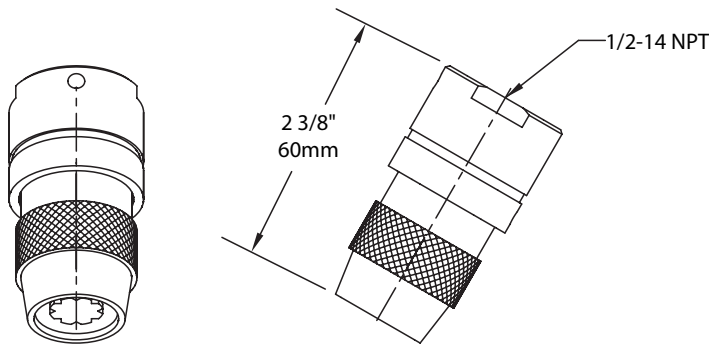
Symmons Fre-Flo shower head. All brass construction with rigid connection and vandal resistant.

**Modifications:**

- Suffix 2.0: 2.0 gpm (7.6 L/min) flow restrictor



**SYMMONS PRODUCTS MEET  
ASME A112.18.1/CSA B125.1  
AND ALL KNOWN FLOW RATE  
REQUIREMENTS.  
2.5 GPM (9.5 L/min) Only**



**Job/Location**

.....  
.....

**Engineer**

.....  
.....

**Contractor**

.....  
.....

For ADA compliance (Americans with Disabilities Act) consult ADAAG or your state regulations for proper product choice and mounting locations.

Symmons Industries, Inc. ■ 31 Brooks Drive ■ Braintree, MA 02184  
Phone: (800) 796-6667 ■ Fax: (800) 961-9621  
Website: symmons.com ■ Email: gethelp@symmons.com

Copyright © 2017 Symmons Industries, Inc. ■ ZV-1601 REV B ■ 011917

