



Water Coolers

## **VERSAFILLER®**

### **Model PWEBF (retro fit) and P\*EBF Family of Drinking Fountains/VersaFiller combo**

### **Installation Instructions**



The Hands-Free VersaFiller is an extension of the Aqua Pointe® product line that mounts directly above Versacooler® I and II products. If the cooler outlet does not have two useable plugs, an outlet splitter will need to be used.

If installed onto a refrigerated cooler, chilled water can be dispensed through the VersaFiller. Otherwise, room temperature water will be dispensed.

The VersaFiller is shipped partially assembled.

On the combo units, the cooler is plumbed and ready to attach to the VersaFiller.

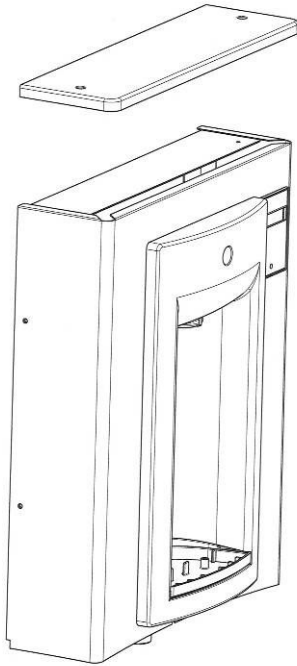
**When completed, the finished assembly will look like this:**



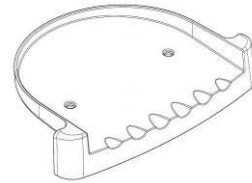
## Section 1: Getting Started

### What's Included:

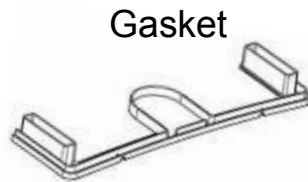
(Top cap)



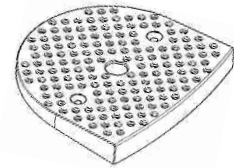
VersaFiller Hands-Free Sports Bottle Filler- (with wrapper, alcove and top cap installed onto the frame)



Drip tray

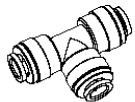


Gasket

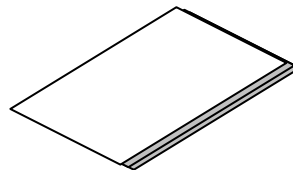


Anti splash grate

Quick connect tee fitting (*only required on split level units*)



38" of 1/4" OD plastic tubing with 19" of sponge tubing insulation (*included with "Versafiller ready" coolers*)



Installation instructions

Anti Splash grate screws (2)



Snap bushing

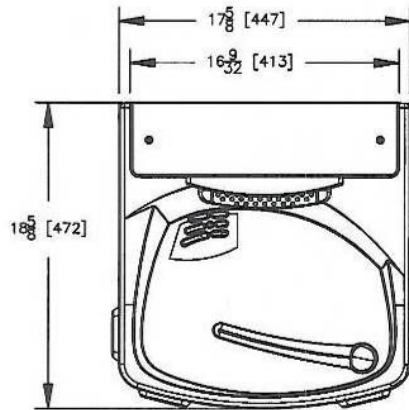


### Tools required:

- 3/8" pilot drill and either a step drill bit up to 7/8" diameter that will drill through SS top or 7/8" diameter punch die (retrofit version only)
- Electric drill; wrench for punch die
- Small tubing cutter for copper tube
- 1/4" nut driver
- # 2 Phillips screw driver
- #15 torx bit driver

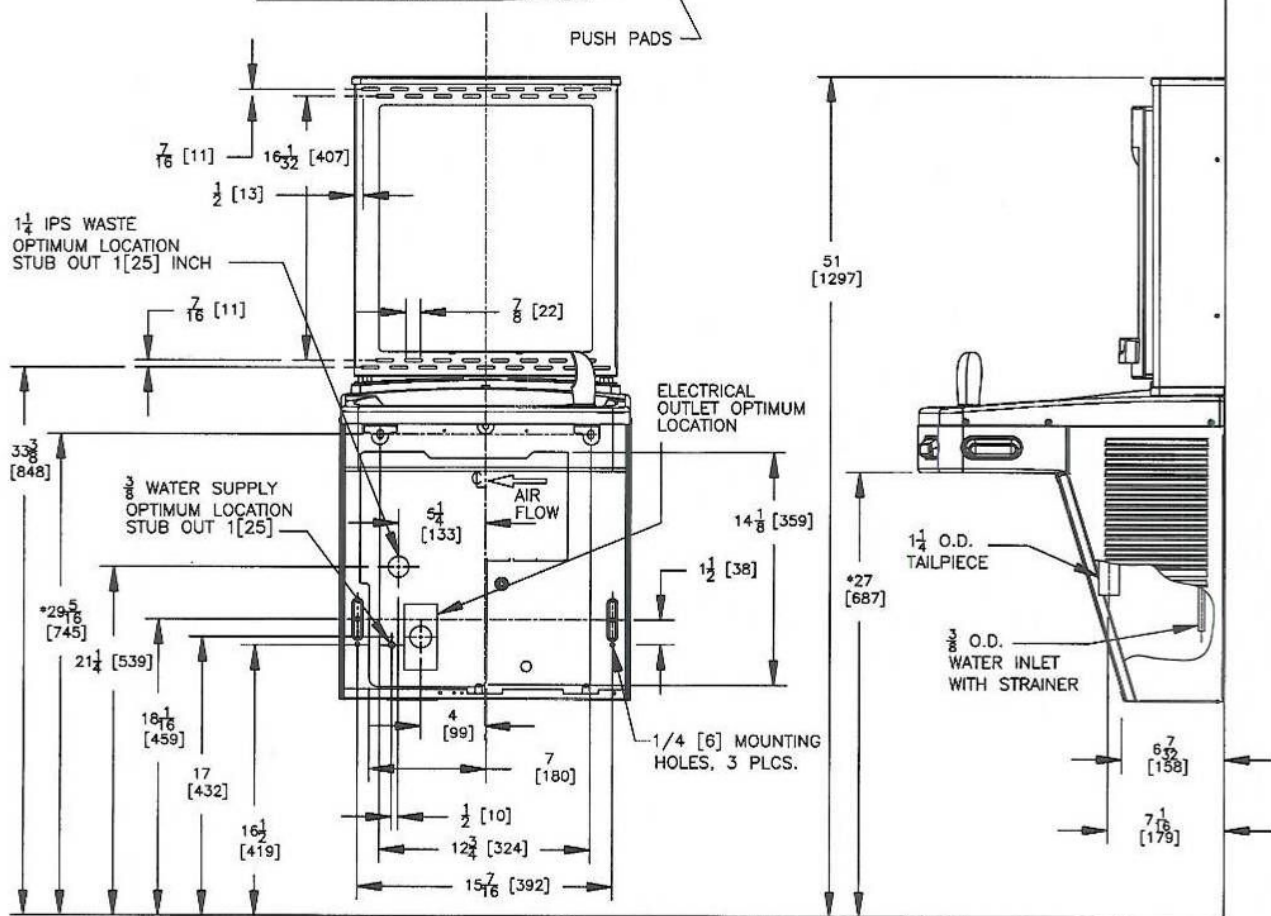
# Section 2: Rough In Drawing

## Oasis PWEBF: Versacooler® II Models PAC, P8AC with Hands-Free VersaFiller

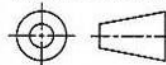


**NOTES:**

1. TRAP, STOP VALVE AND ELECTRICAL OUTLET NOT FURNISHED.
2. ALLOW 4 INCHES [102 MM] MIN. PER SIDE FOR VENTILATION.
- \*3. RECOMMENDED ADULT BARRIER FREE HEIGHT INSTALLATION SHOWN. REDUCE HEIGHT BY 3 INCHES FOR INSTALLATIONS USED PRIMARILY BY CHILDREN AGES 12 AND YOUNGER. UNIT SHALL ALSO HAVE A MINIMUM CLEAR FLOOR SPACE 30 [760] BY 48 [1220]. ADJUST VERTICAL DIMENSIONS AS REQ'D TO COMPLY WITH FEDERAL, STATE, AND LOCAL CODES.
4. ALL DIMENSIONS ARE IN INCHES. DIMENSIONS IN BRACKETS [ ] ARE IN MILLIMETERS.



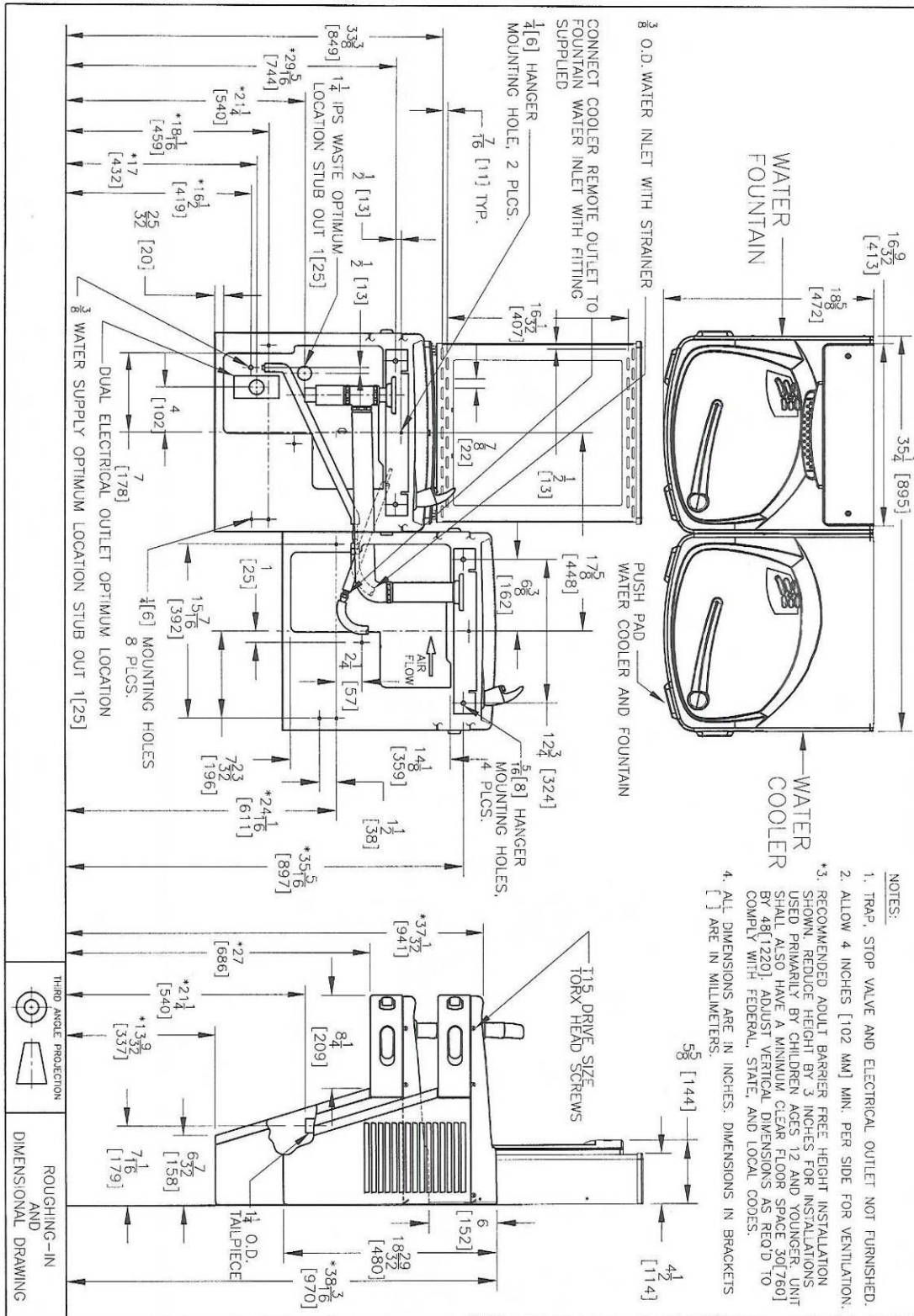
THIRD ANGLE PROJECTION



ROUGHING-IN  
AND  
DIMENSIONAL DRAWING

## Section 2: Rough In Drawing

### Oasis PWEBF: Versacooler® II Split Level Models with Hands-Free VersaFiller



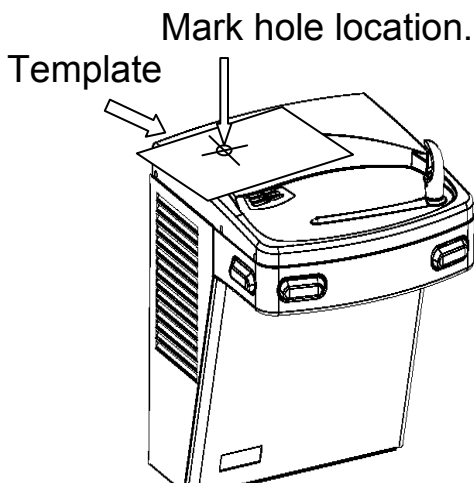
\* On split level models, the VersaFiller must be mounted on the low unit in order to meet ADA guidelines.

## Section 3: Installation

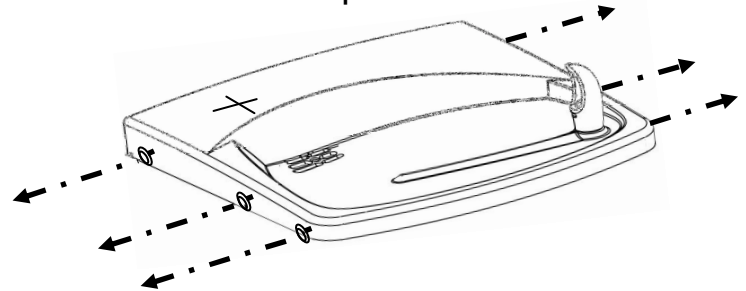
**Note: Proceed to Sect 3B Step 5 if the cooler is purchased “VersaFiller ready”.**

### **A: Drilling hole in the top for water line connection.**

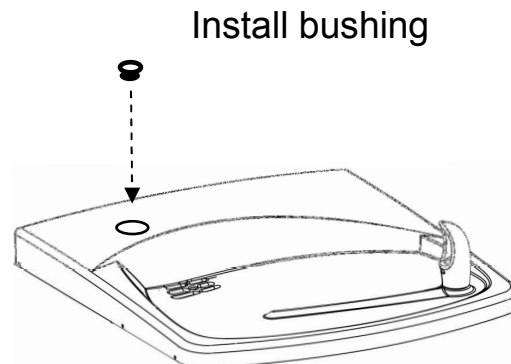
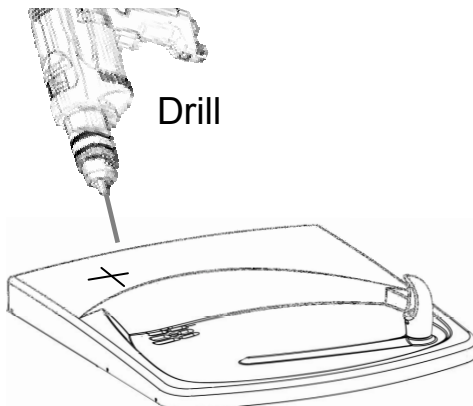
1. Disconnect power by UNPLUGGING unit. It might be necessary to remove the front panel to get access to the power.
2. Turn OFF water supply to the unit. It might be necessary to remove the front panel to access the water stop valve.
3. Place hole template onto cooler top so it is aligned with the left side of unit and wall. SEE NEXT PAGE FOR TEMPLATE
4. Mark hole location
5. Remove top from unit.



Remove top from cooler by removing six #15 torx head screws on sides of top.

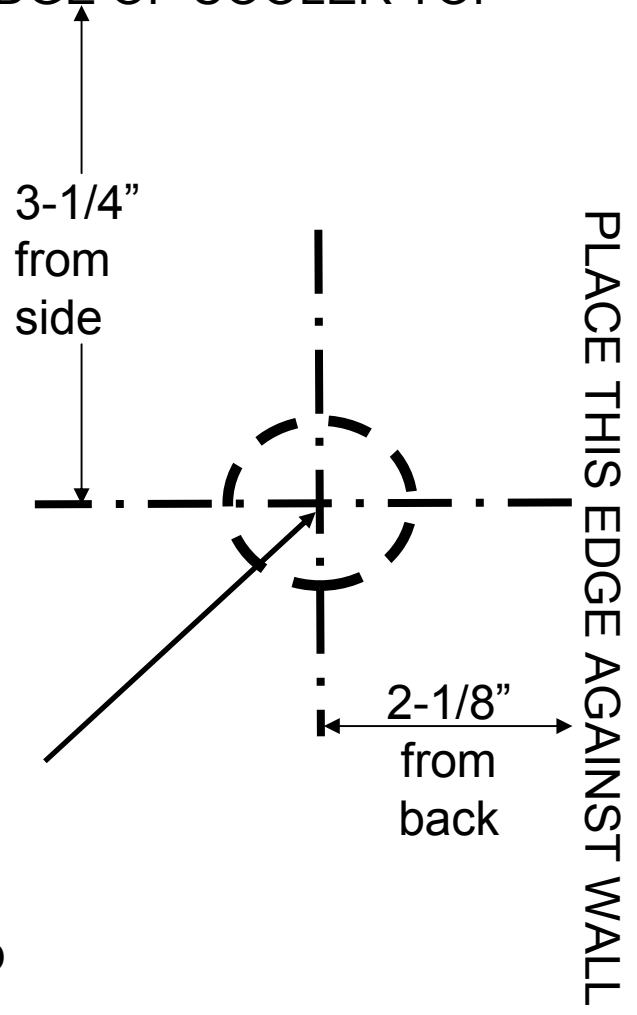


6. Using a step drill bit or 7/8" punch die, make a 7/8" hole through top. You may want to drill a pilot hole to get these started.
7. Install snap bushing into hole to protect tubing from being cut.





ALIGN THIS EDGE WITH LEFT EDGE OF COOLER TOP



Mark this center point on the top. Remove the top from the cooler. Then create a 7/8" diameter hole through the top at the marked center point (step drill bit or punch die).

USE THIS TEMPLATE TO MARK THE HOLE LOCATION ON COOLER TOP

## Section 3: Installation

### B: Connecting the water line

**Note: If you are retrofitting the Versafiller to an existing cooler, follow the instructions starting on the next page.**

For the single “Versafiller ready” cooler, the tube to connect to the Versafiller is found inside the access panel (the compressor compartment). This tube supplies cold water from the cooling tank to the Versafiller.

1/4" OD tube to connect  
to Versafiller



For split level “Versafiller ready” coolers, the tube to plumb in the Versafiller is packaged in the dummy unit.

Remove tube from bag.



First, remove plug from  
fitting on tank drain



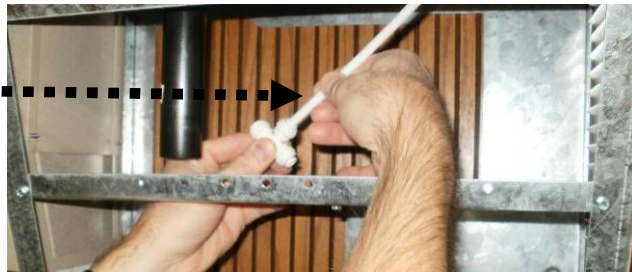
Next, insert end of  
tube into fitting.



The tee and tube to the Versafiller are packaged with the PWEBF unit. One branch of the tee will supply the valve on the dummy unit, the other branch of the tee will connect to the Versafiller.

If a filter is being installed, cut a piece of tubing about 3" long to insert flow switch right after filter and before tee. This allows Versafiller counter to accurately calculate amount of water passing through filter.

Tube to connect valve  
on dummy unit



Tube to connect  
Versafiller

Tube to connect chilled  
water to dummy unit  
and Versafiller

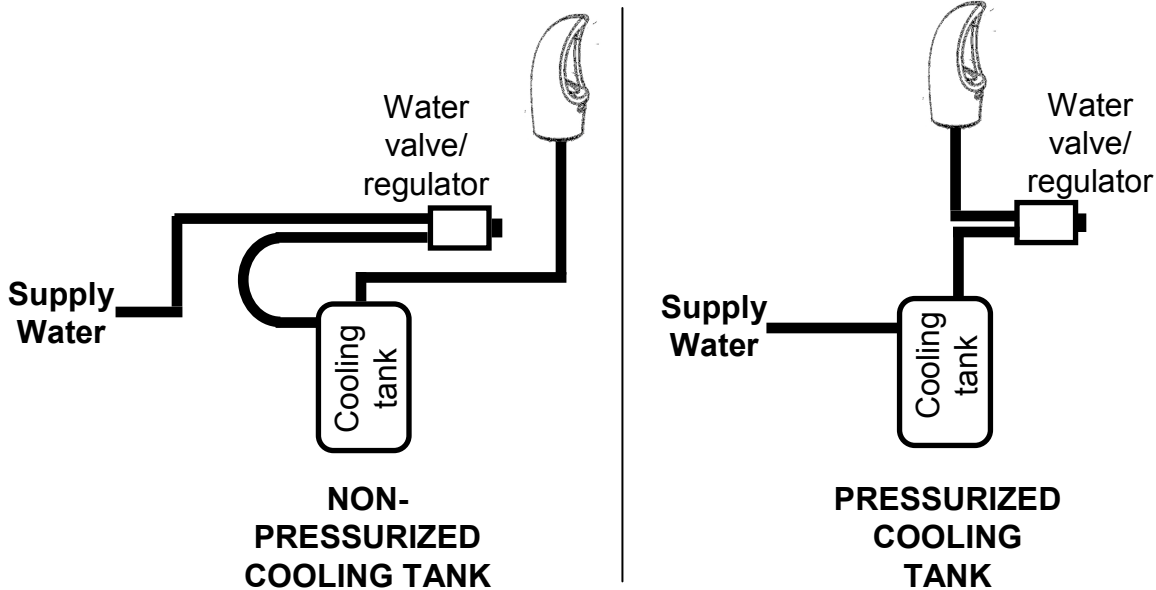


Go to Step 5 "Final steps for both product families:"



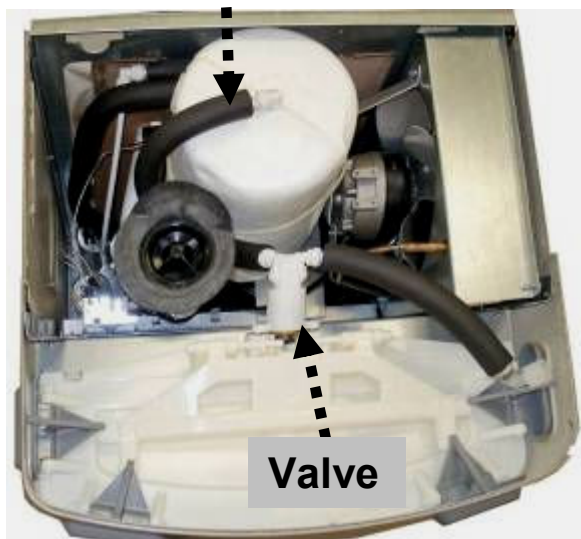
To retrofit the Versafiller to an existing unit, follow the instructions below:

If the cooling tank is non-pressurized, then go to the “Pressurizing the cooling tank” addendum section. Otherwise, proceed to step 1 below. Non-pressurized units are single units made since December of 2009. Refer to the schematic below to identify the system that you have.



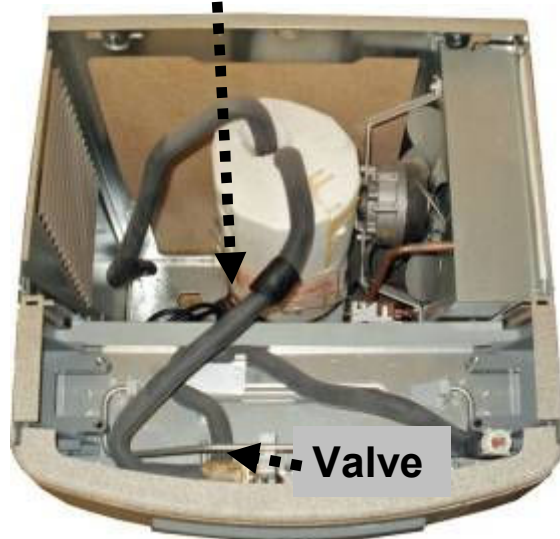
1. With the cooler top removed, find the tube going from the cooling tank outlet to the valve. The TEE fitting (supplied) will need to connect between the cooling tank and valve.

**Outlet Tube (insulated plastic)**



**P8AC family**

**Outlet Tube (insulated copper)**



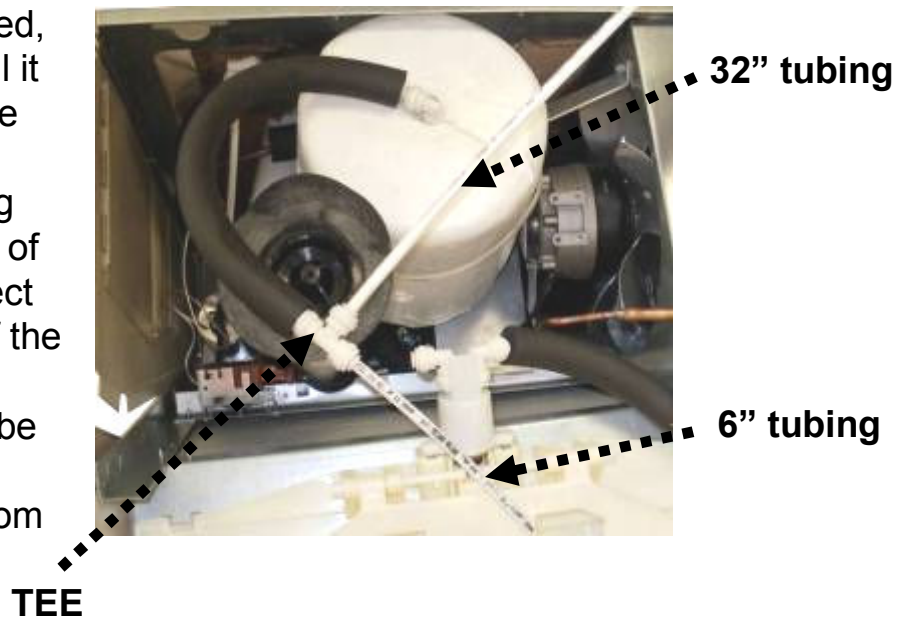
**P8AM family**

## Section 3: Installation: For the P8AC Version: Versacooler II

2. Disconnect tubing from the elbow on the valve.



3. Using the 38" piece of tubing provided, cut 6" and install it on the end of the TEE. Install the remaining tubing onto the branch of the TEE. Connect the other end of the TEE to the tank outlet tubing (tube that was disconnected from the elbow).



4. Route the TEE and tubing under the waste drain and connect the 6" length to the water valve elbow.



Go to Step 5 "Final steps for both product families:"

## Section 3: Installation: For the P8AM Version: Versacooler I

2. Remove tar tape from the insulation on the outlet tube.



3. Pull back insulation and cut the copper tube with a tubing cutter. Cut where there is at least 1 inch of *straight* tubing on each side of the cut.



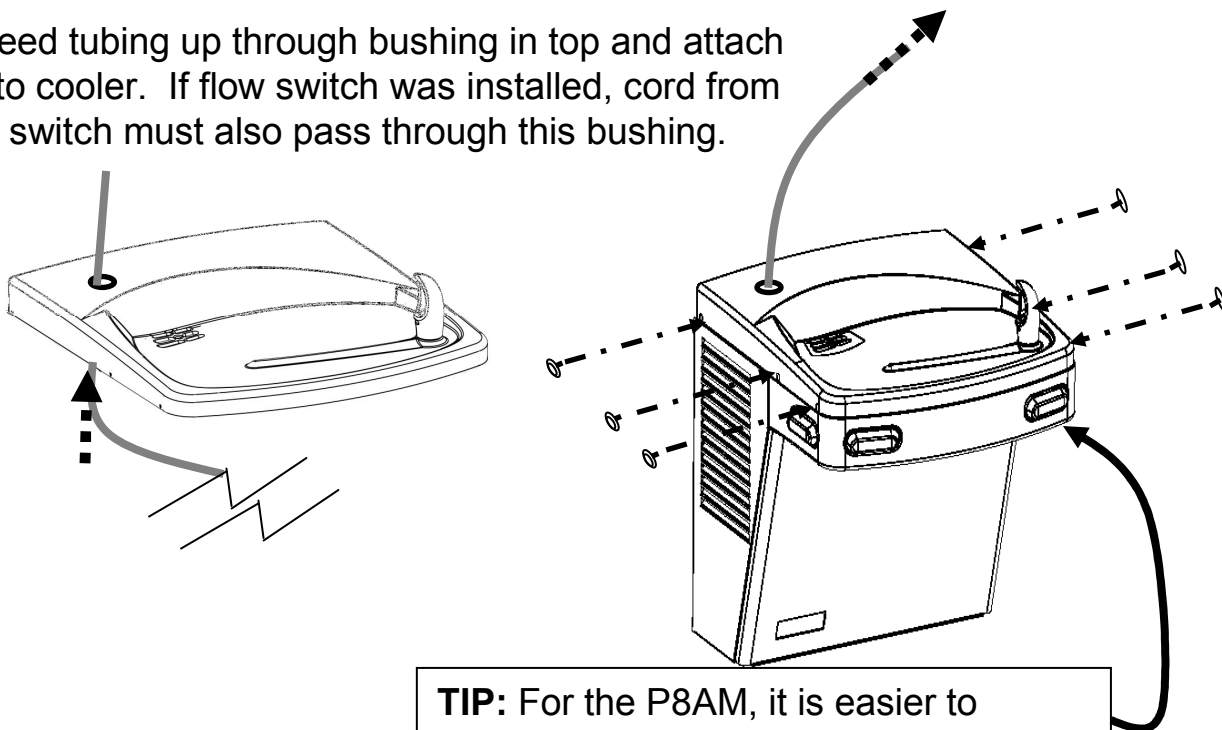
4. Install TEE fitting by connecting the copper tubing to each end. Then install the 32" piece of plastic tubing to the TEE branch.



32" plastic tubing (supplied)

## Section 3: Installation: **Final steps for both product families:**

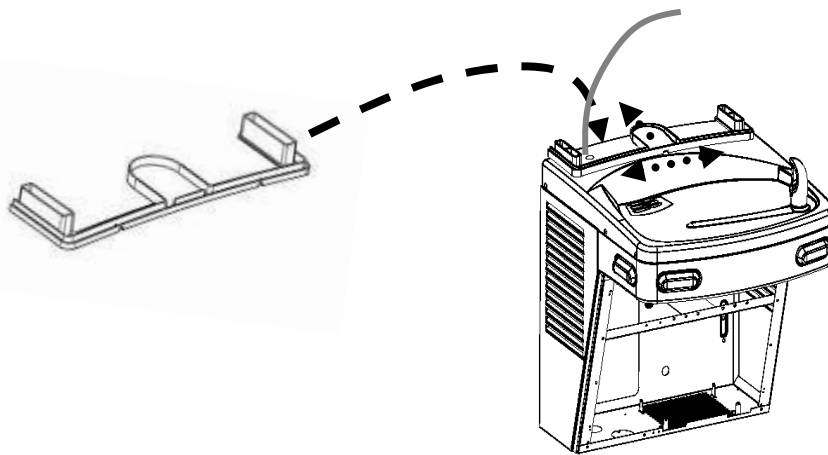
5. Feed tubing up through bushing in top and attach top to cooler. If flow switch was installed, cord from flow switch must also pass through this bushing.



**TIP:** For the P8AM, it is easier to connect the outlet tube to the bubbler if the front nose is removed.

### **C: Mounting the frame to the wall**

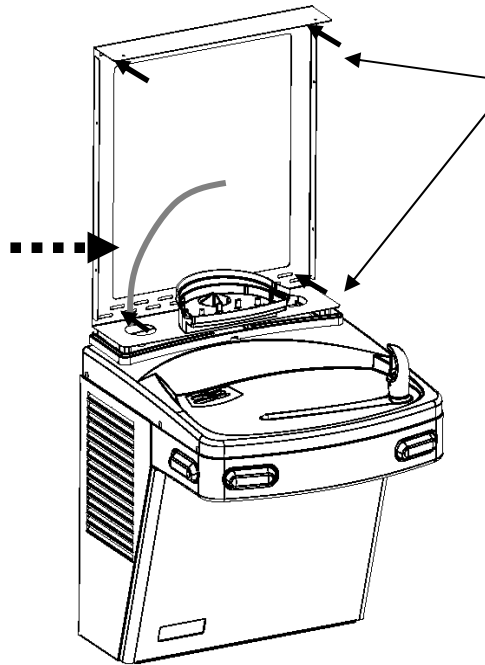
1. Place rubber gasket on top of the cooler so it is centered left/right and against the wall.



## Section 3: Installation

2. Set the wall frame onto the gasket. Center it left/right and push it against the wall and mark hole locations for wall fasteners. The gasket will set the frame at the proper height.

Make sure to pull the plastic tubing and flow switch wire (if applicable) up through the hole in the frame.

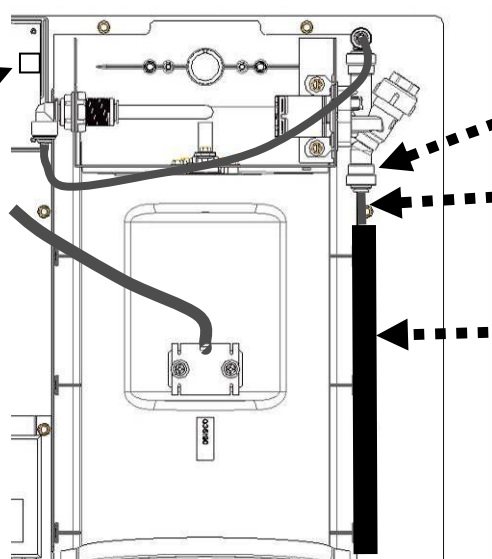


Use mounting slots that will provide the proper securing location.

3. Secure frame to the wall with fasteners (not provided). Pull plastic tubing up through the hole in the frame.

4. Slide sponge tubing insulation over water line. Connect the tubing to the INLET of the solenoid on the back of the Hands-free VersaFiller assembly and flow switch connector into port on circuit board.

Insert connector on end of flow switch wire into port on circuit board



Rear view of VersaFiller

Connect tube to inlet of the valve

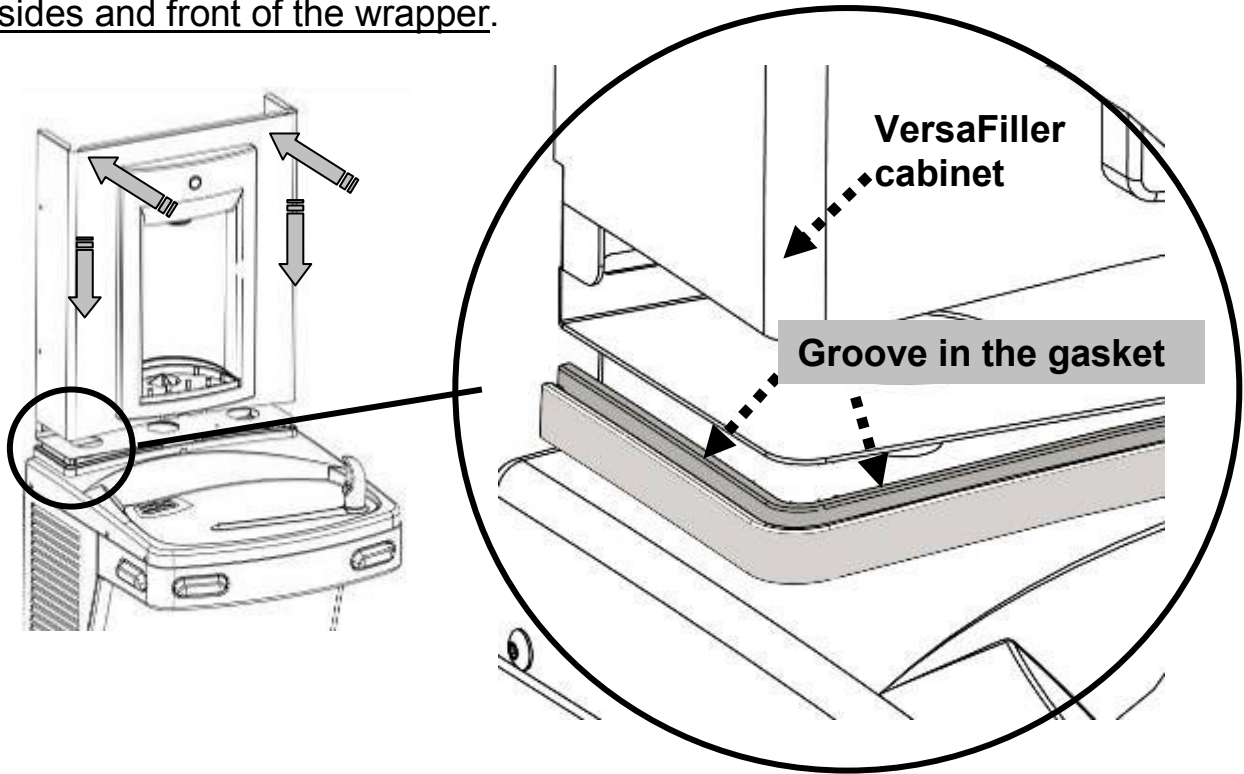
Plastic tubing

Sponge tubing insulation

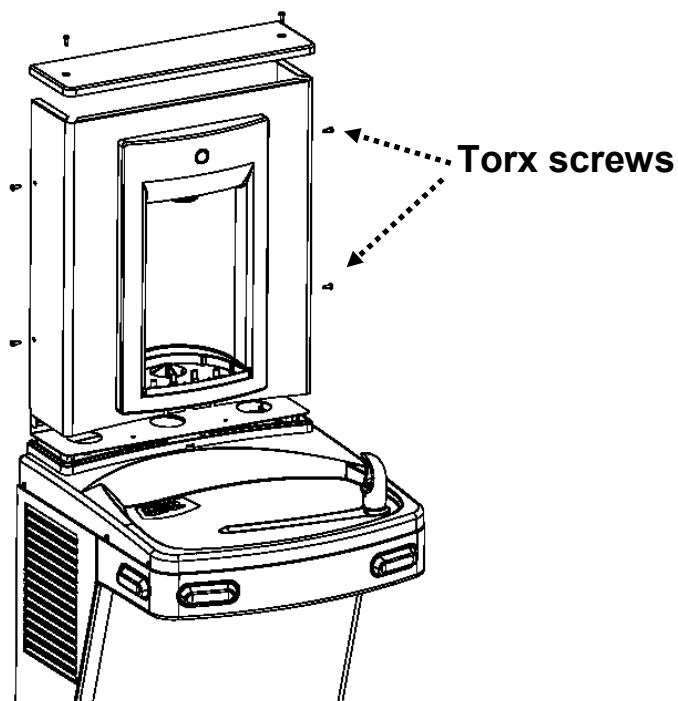


## Section 3: Installation

5. Set the VersaFiller cabinet into place. As you do, feed the terminals on the power supply power cord through the bushing on the cooler top. **MAKE SURE** the cabinet fits into the *groove* in the rubber gasket on both sides and front of the wrapper.

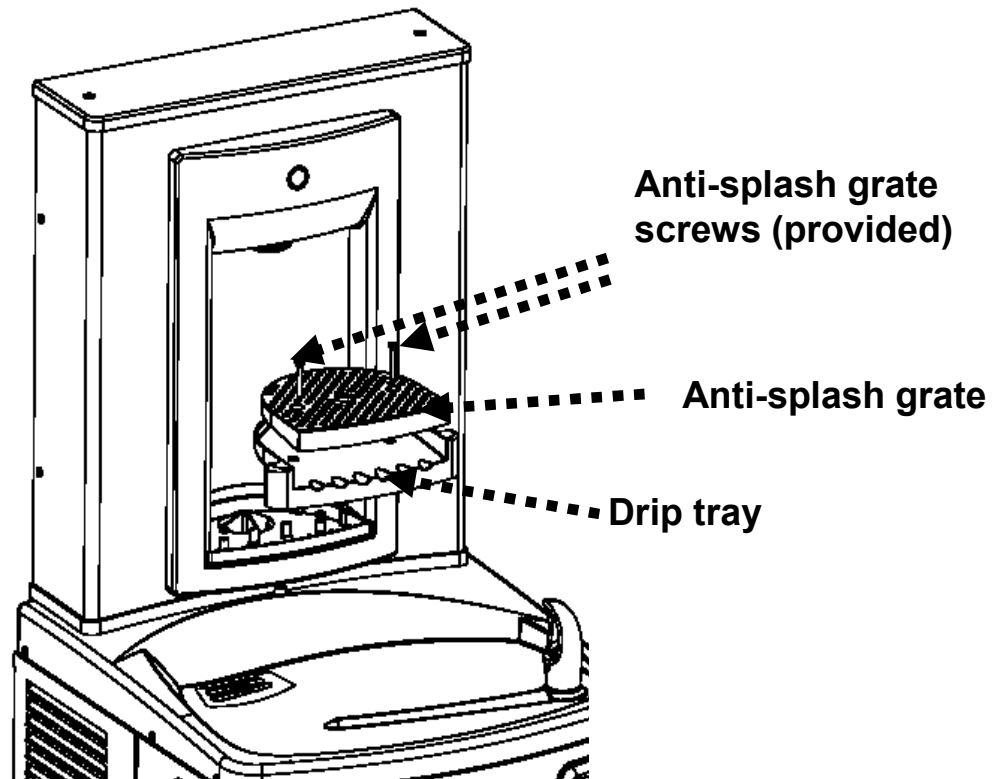


6. Attach VersaFiller assembly to the frame using four (4) torx screws. Leave the top cap off until after the program is set for this installation.



## Section 3: Installation

7. Install the drip tray and anti-splash grate into the alcove area and secure with the two (2) stainless steel phillips head screws.

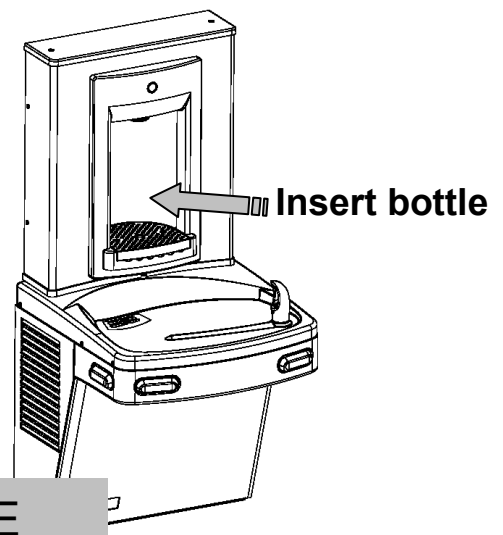


8. Connect male tab terminals from bottle filler power supply to female terminals on power cord. Make sure male tab is seated inside metal contacts of female terminal.

9. Plug in bottle filler cord. The program should be set up specific for that installation. See the program guide on the next page.

10. Turn ON water supply and check for leaks. Place a container in the alcove to release any trapped air from the system. Plug in the power cord and replace the front panel.

11. If everything works correctly, place the top cap back on the bottle filler and use the remaining two (2) torx screws to fasten it in place. Otherwise, calibrate the sensor per the instructions on the next page.



**INSTALLATION COMPLETE**

## Section 4: Set-up guide for bottle filler electronics

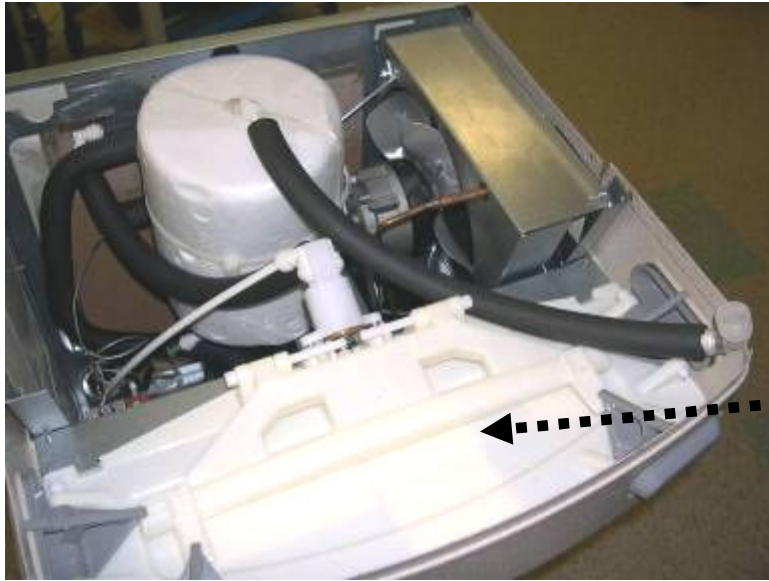
Factory default settings are for a(n):

- UNFILTERED unit
- 20 second maximum run time

You can change the program settings by entering the program mode. To change the program settings, use the following steps:

1. Top cap is set aside until program is complete. Remove top cap by unscrewing two (2) T15 torx screws if needed.
2. Reach hand down between frame and front of cabinet to gently press button sticking up from top of circuit board (Note: Circuit board runs on low voltage and will not shock you). A remote button is available. Remove wire tie bundling it inside bottle filler and feed it through hole in cooler top. You can then adjust program using button through access panel of cooler.
3. To enter program mode, press and hold button for about 3 seconds. When you hear a beep, let go of button. You are now in program mode. Pressing button for an instant will advance to next screen. It will revert back to operating mode if no button is pressed for 10 seconds.
4. When you enter program mode, display screen will read "UNFILTERED UNIT." To access settings for "FILTERED UNIT", press and hold button for about 3 seconds. Press button for an instant to advance to next menu item.
5. If you wish to reset filter life counter or bottle counter, press and hold button for 3 seconds in screen asking corresponding question.
6. Default capacity for filter life counter is 1250 gallons (to match Versafilter). Press and hold button 3 seconds in "FILTER CAPACITY OF..." screen to change setting to 3000 gallons (galaxi® green filter media).
7. "Bottle Filler Set\_time" screen is to adjust maximum run time once sensor is activated. Water flow will stop once container is removed from alcove, but this feature ensures very little water is wasted if someone tampers with dispenser.
8. Unit is calibrated at factory, but it is recommended that sensor be recalibrated at each install. Also, if you are having problems with sensing of a bottle, try recalibrating it before calling for service. Press and hold button for 3 seconds to calibrate sensor in "INFRARED SENSITIVITY" screen.
9. Put top cap back on and fasten in place with two (2) torx screws.

## Addendum Section: Pressurizing Cooling Tank



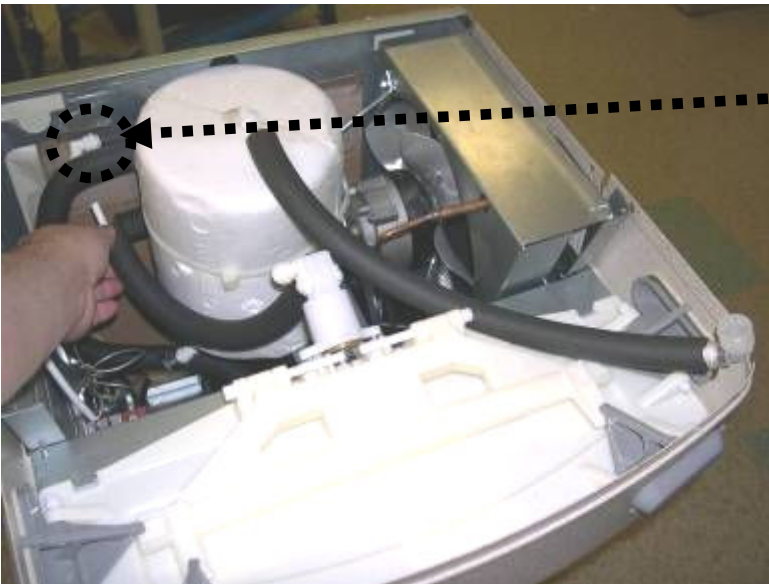
**The water should already be turned OFF and the power disconnected.**

Unit as it appears with top removed



### **STEP 1**

Unplug un-insulated water line from water valve inlet (JG elbow located left side of water valve facing the front of the cooler). Set tubing aside (careful to not contaminate water contact end).



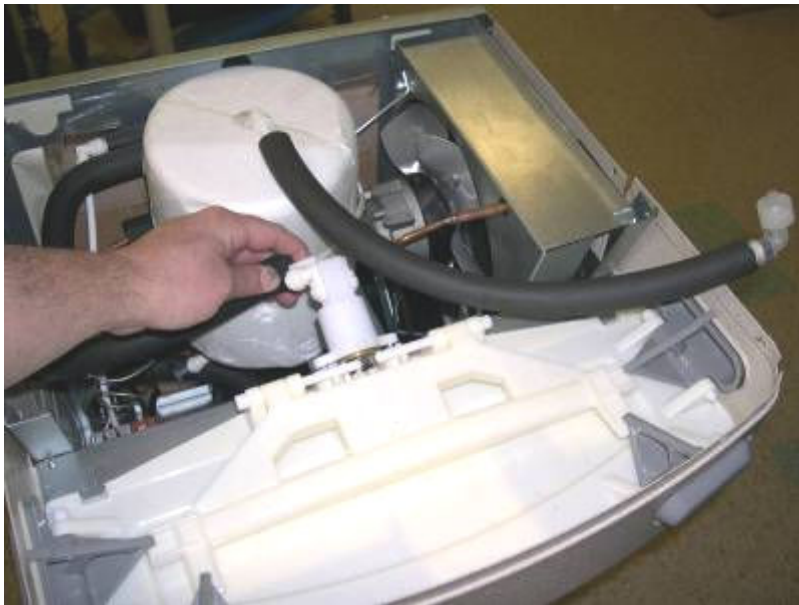
### **STEP 2**

Unplug tubing from JG elbow leading to cooling tank inlet.



### **STEP 3**

Plug un-insulated tubing that was removed in step 1 into JG elbow leading to the cooling tank from step 2.



### **STEP 4**

Unplug tubing that is connected to the water valve outlet (JG elbow located on the right side of valve facing the cooler).



### **STEP 5**

Connect tubing from step 4 to JG elbow on the left side of the valve.





### **Step 6**

Unplug JG tubing from the cooling tank outlet. Do not set it down.



### **Step 7**

Using tubing removed in step 6, plug into JG elbow on the right side of the valve. (be sure to rout the tubing under existing tubing installed in step 4 as shown)



### **Step 8**

Using tubing that is connected to the JG elbow left side of valve (done in step 4), and plug the other end to the JG fitting at the top of the cooling tank.

**Return to Section 3 B  
“Connecting the water line”**

## Electronics quick reference guide

- Press and hold button for 3 seconds to enter program mode or change program setting while in program mode.
- Choose “UNFILTERED UNIT” or “FILTERED UNIT” in program mode.
- “BOTTLE FILLER SET\_TIME” is adjustable from 10-20 seconds in program mode.
- To reset filter life counter, press and hold button at question “RESET ##### GALLON COUNT?” in program mode.
- To reset bottle counter, press and hold button at question “RESET ##### BOTTLE COUNT?” in program mode.
- Re-calibrate sensor at installation or if sensor doesn't respond correctly. To re-calibrate, press and hold button at “INFRARED SENSITIVITY” screen in program mode.

### **Accessories:**

**Vandal resistant screw kit:** P/N 036704-001, includes torx bits and replacement screws for items 4 and 25.

**Gasket, Sunroc/Haws :** P/N 036689-101 (replaces item 10): [KIT P/N 036752-001](#)

**Gasket, Elkay/Halsey Taylor** P/N 036689-201 (replaces item 10 ): [KIT P/N 036752-002](#)

