



Water Coolers



VERSAFILLER®

Model PWSBF (retro fit) and P*SBF Family of Drinking Fountains/VersaFiller combo

Installation Instructions

The VersaFiller is an extension of the Aqua Pointe® product line that mounts directly above Versacooler® I and II products. *No additional electrical connections are required.*

If installed onto a refrigerated cooler, then chilled water can be dispensed through the VersaFiller. Otherwise, room temperature water will be dispensed.

The VersaFiller is shipped partially assembled.

On the combo units, the cooler is plumbed and ready to attach to the VersaFiller.

When completed, the finished assembly will look like this:

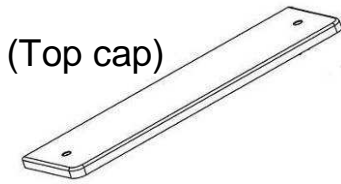


OR

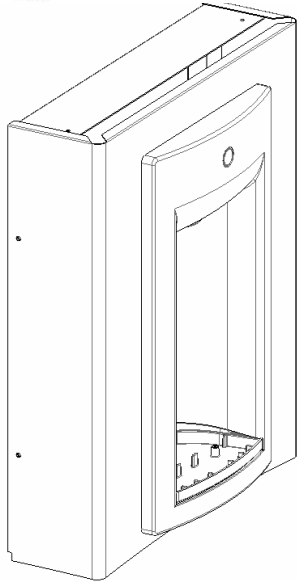


Section 1: Getting Started

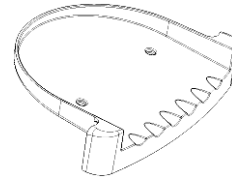
What's Included:



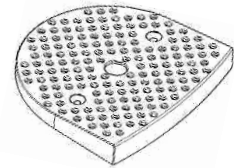
(Top cap)



VersaFiller Sports Bottle Filler- (with wrapper, alcove and top cap installed onto the frame)



Drip tray

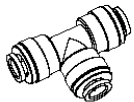


Anti splash grate

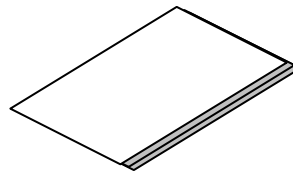


Gasket

Quick connect tee fitting (*only required on split level units*)



38" of 1/4 OD plastic tubing with 19" of sponge tubing insulation (*included with "Versafiller ready" coolers*)



Installation instructions



Anti Splash grate screws (2)



Snap bushing

Tools required:

- 3/8 drill bit that will drill through SS top (retrofit version only)
- Electric drill
- Small tubing cutter for copper tube
- 1/4 " nut driver
- # 2 Phillips screw driver
- #15 torx bit driver

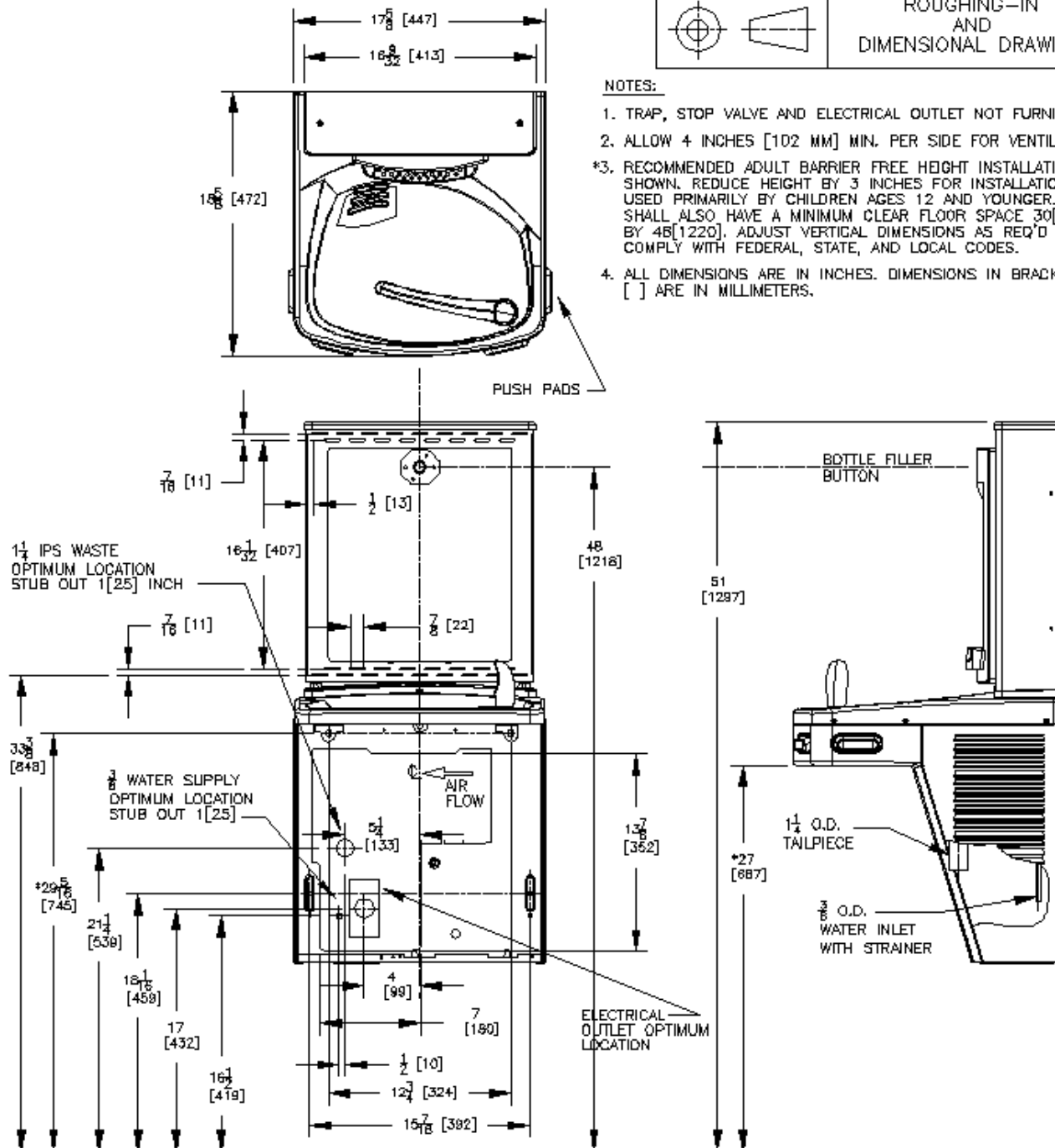
Section 2: Rough In Drawing

Oasis PWSBF: Versacooler® II Models PAC, P8AC with VersaFiller

<p>THIRD ANGLE PROJECTION</p>	<p>ROUGHING-IN AND DIMENSIONAL DRAWING</p>
-------------------------------	--

NOTES:

1. TRAP, STOP VALVE AND ELECTRICAL OUTLET NOT FURNISHED.
2. ALLOW 4 INCHES [102 MM] MIN. PER SIDE FOR VENTILATION.
- *3. RECOMMENDED ADULT BARRIER FREE HEIGHT INSTALLATION SHOWN. REDUCE HEIGHT BY 3 INCHES FOR INSTALLATIONS USED PRIMARILY BY CHILDREN AGES 12 AND YOUNGER. UNIT SHALL ALSO HAVE A MINIMUM CLEAR FLOOR SPACE 30[760] BY 48[1220]. ADJUST VERTICAL DIMENSIONS AS REQ'D TO COMPLY WITH FEDERAL, STATE, AND LOCAL CODES.
4. ALL DIMENSIONS ARE IN INCHES. DIMENSIONS IN BRACKETS [] ARE IN MILLIMETERS.

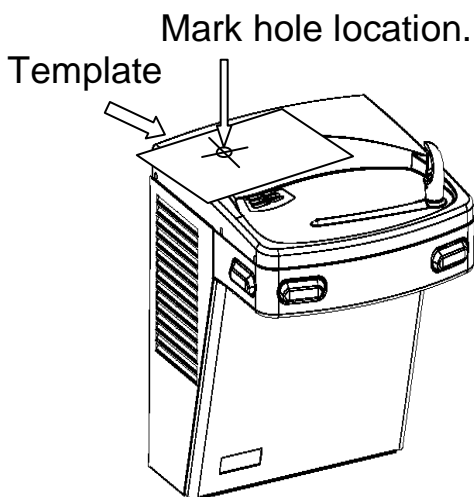


Section 3: Installation

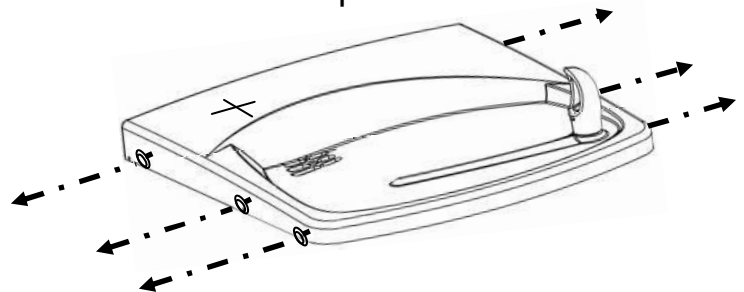
Note: Proceed to Sect 3B Step 5 if the cooler is purchased “VersaFiller ready”.

A: Drilling hole in the top for water line connection.

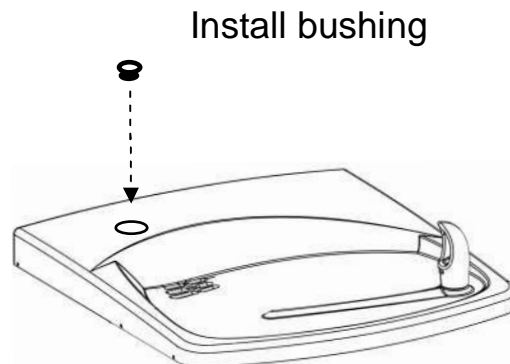
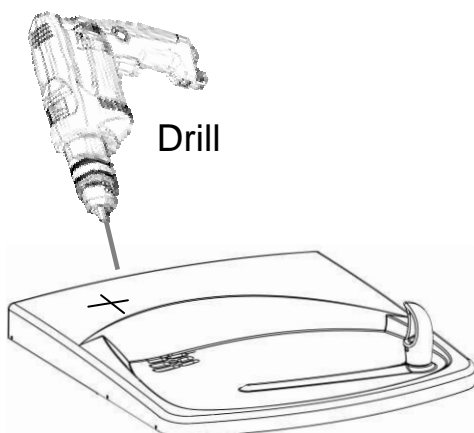
1. Disconnect power by UNPLUGGING unit. It might be necessary to remove the front panel to get access to the power.
2. Turn OFF water supply to the unit. It might be necessary to remove the front panel to access the water stop valve.
3. Place hole template onto cooler top so it is aligned with the left side of unit and wall. SEE NEXT PAGE FOR TEMPLATE
4. Mark hole location
5. Remove top from unit.



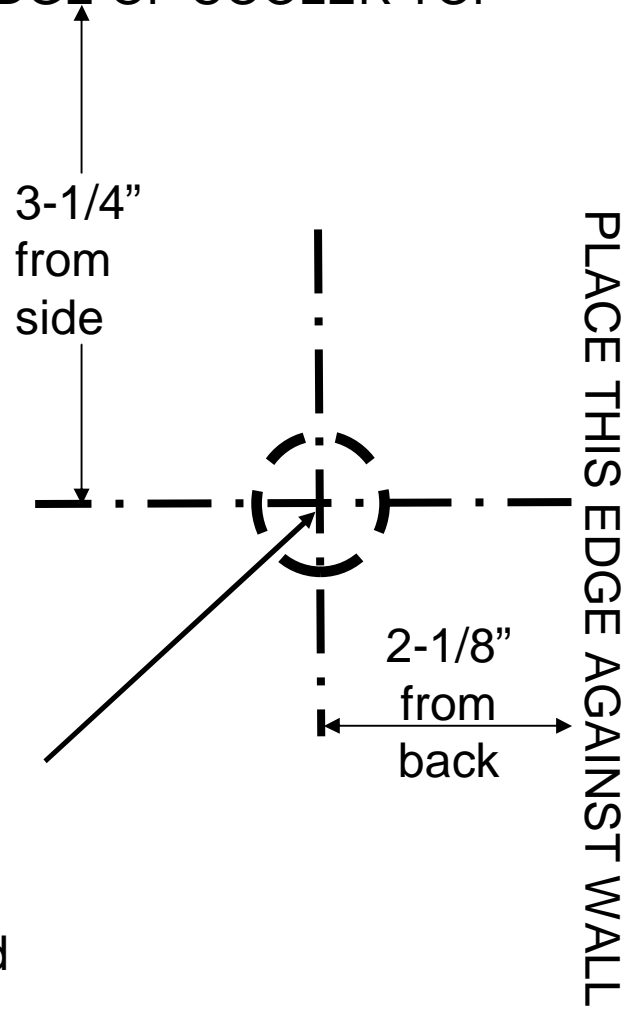
Remove top from cooler by removing six #15 torx head screws on sides of top.



6. Using a 3/8 drill bit, drill a hole through top.
7. Install snap bushing into hole to protect tubing from being cut.



ALIGN THIS EDGE WITH LEFT EDGE OF COOLER TOP



Mark this center point on the top. Remove the top from the cooler. Then drill a 3/8 hole through the top at the marked center point.

USE THIS TEMPLATE TO MARK THE HOLE LOCATION ON COOLER TOP

Section 3: Installation

B: Connecting the water line

Note: If you are retrofitting the Versafiller to an existing cooler, follow the instructions starting on the next page.

For the single “Versafiller ready” cooler, the tube to connect to the Versafiller is found inside the access panel (the compressor compartment). This tube supplies cold water from the cooling tank to the Versafiller.

1/4" OD tube to connect to Versafiller (no tee is needed)



For split level “Versafiller ready” coolers, the tube to plumb in the Versafiller is packaged in the dummy unit.

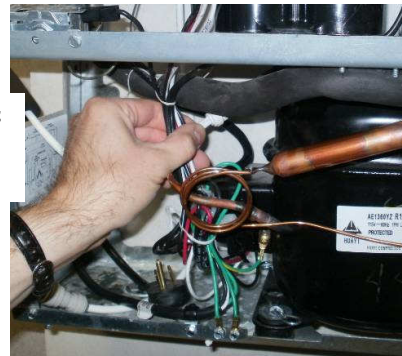
Remove tube from bag.



First, remove plug from fitting on tank drain



Next, insert end of tube into fitting.



Tee and tube to Versafiller are packaged with PWSBF unit. One branch of tee will supply valve on dummy unit. Other branch of tee will connect to Versafiller. **Note:** "Versafiller ready" single units do not use tee since water line from cooling tank only supplies water to bottle filler.

Tube to connect valve on dummy unit



Tube to connect Versafiller



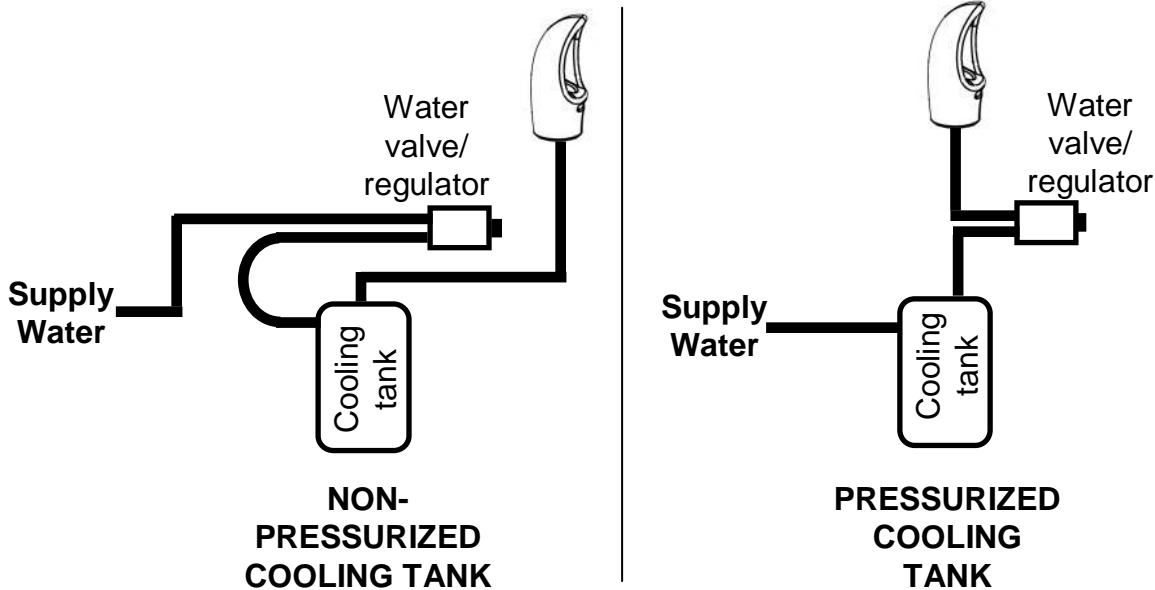
Tube to connect chilled water to dummy unit and Versafiller



Go to Step 5 "Final steps for both product families:"

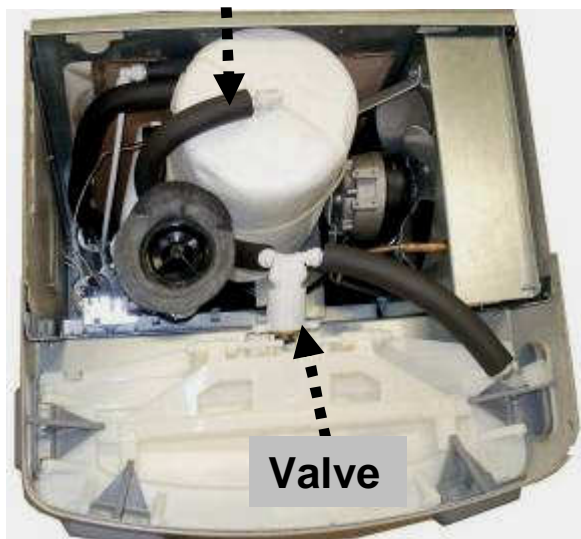
To retrofit the Verafiller to an existing unit, follow the instructions below:

If the cooling tank is non-pressurized, then go to the “Pressurizing the cooling tank” addendum section. Otherwise, proceed to step 1 below. Non-pressurized units are single units made since December of 2009. Refer to the schematic below to identify the system that you have.



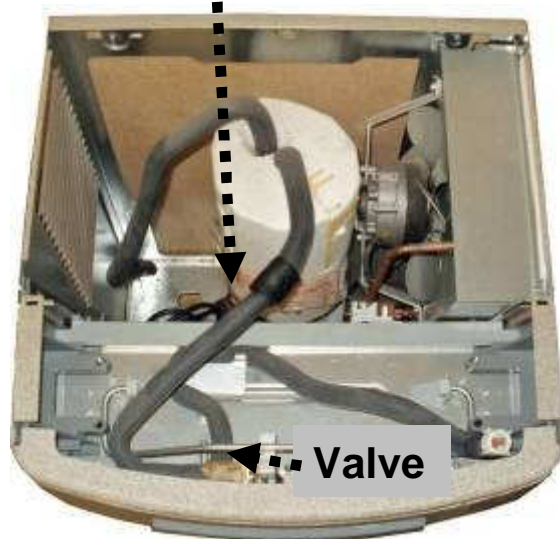
1. With the cooler top removed, find the tube going from the cooling tank outlet to the valve. The TEE fitting (supplied) will need to connect between the cooling tank and valve.

Outlet Tube (insulated plastic)



P8AC family

Outlet Tube (insulated copper)



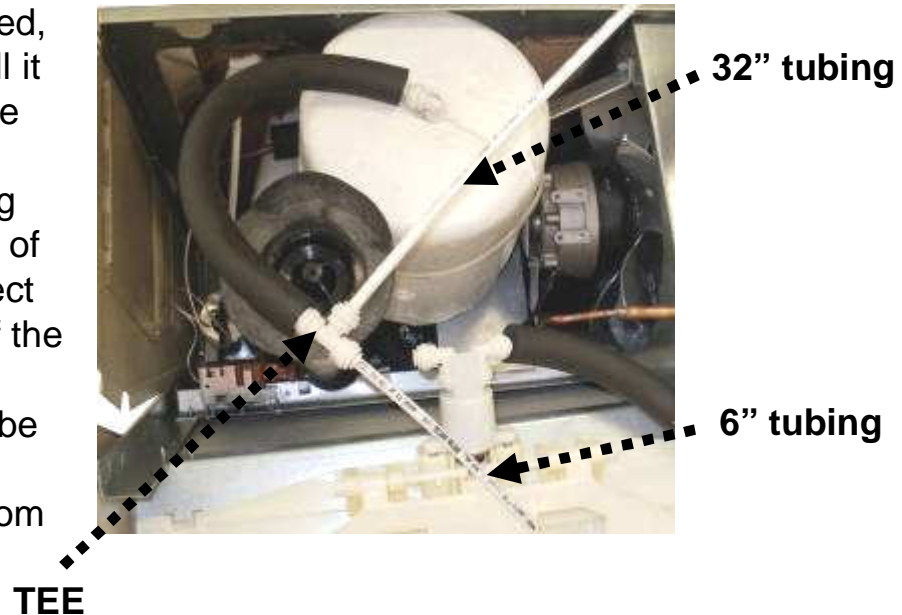
P8AM family

Section 3: Installation: For the P8AC Version: Versacooler II

2. Disconnect tubing from the elbow on the valve.



3. Using the 38" piece of tubing provided, cut 6" and install it on the end of the TEE. Install the remaining tubing onto the branch of the TEE. Connect the other end of the TEE to the tank outlet tubing (tube that was disconnected from the elbow).



4. Route the TEE and tubing under the waste drain and connect the 6" length to the water valve elbow.



Go to Step 5 "Final steps for both product families:"

Section 3: Installation: For the P8AM Version: Versacooler I

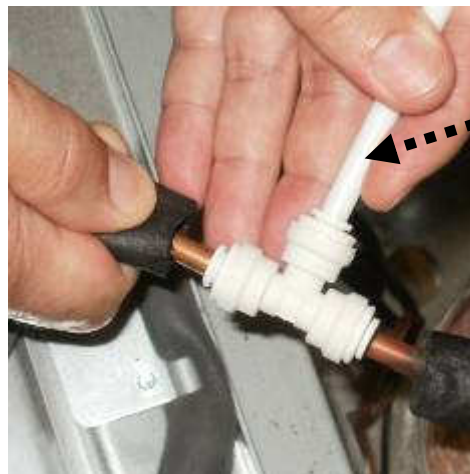
2. Remove tar tape from the insulation on the outlet tube.



3. Pull back insulation and cut the copper tube with a tubing cutter. Cut where there is at least 1 inch of *straight* tubing on each side of the cut.



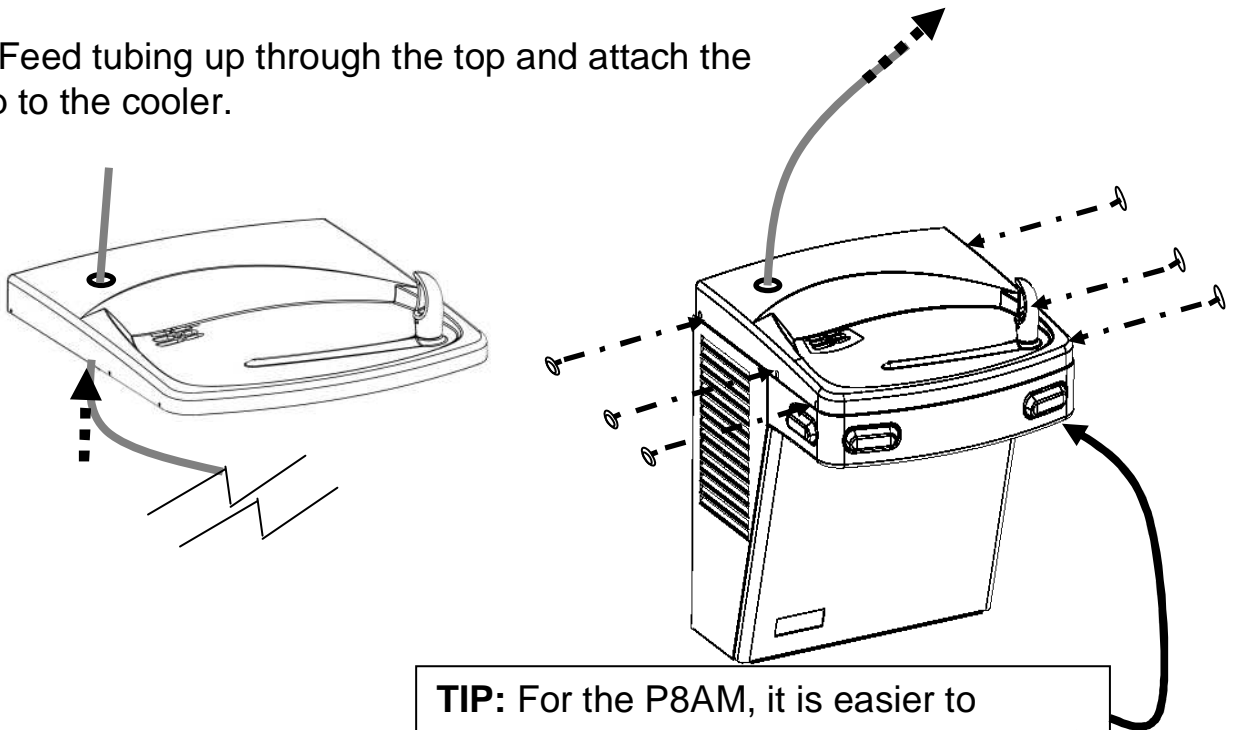
4. Install TEE fitting by connecting the copper tubing to each end. Then install the 32" piece of plastic tubing to the TEE branch.



32" plastic tubing (supplied)

Section 3: Installation: Final steps for both product families:

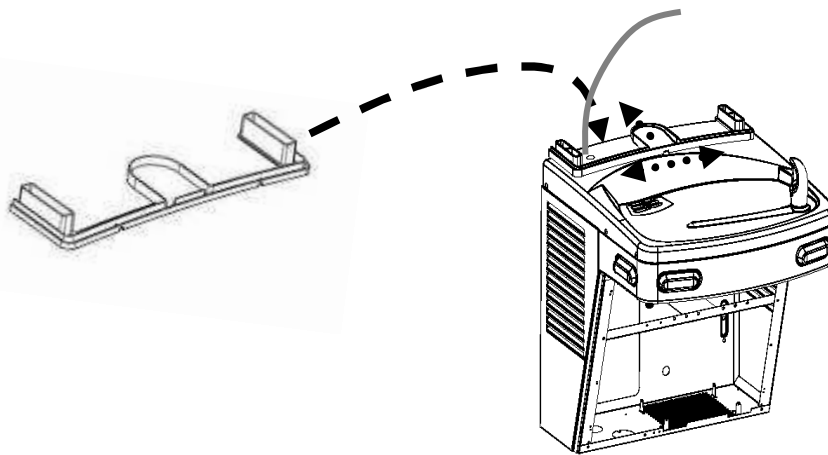
5. Feed tubing up through the top and attach the top to the cooler.



TIP: For the P8AM, it is easier to connect the outlet tube to the bubbler if the front nose is removed.

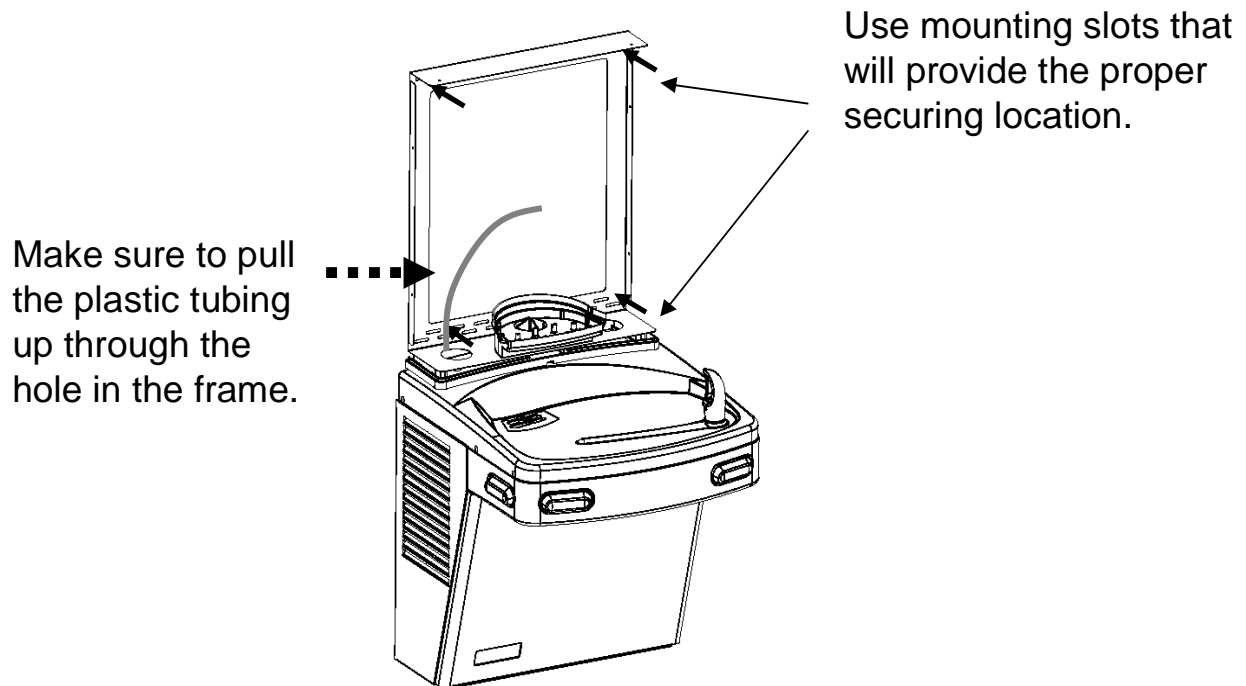
C: Mounting the frame to the wall

1. Place rubber gasket on top of the cooler so it is centered left/right and against the wall.



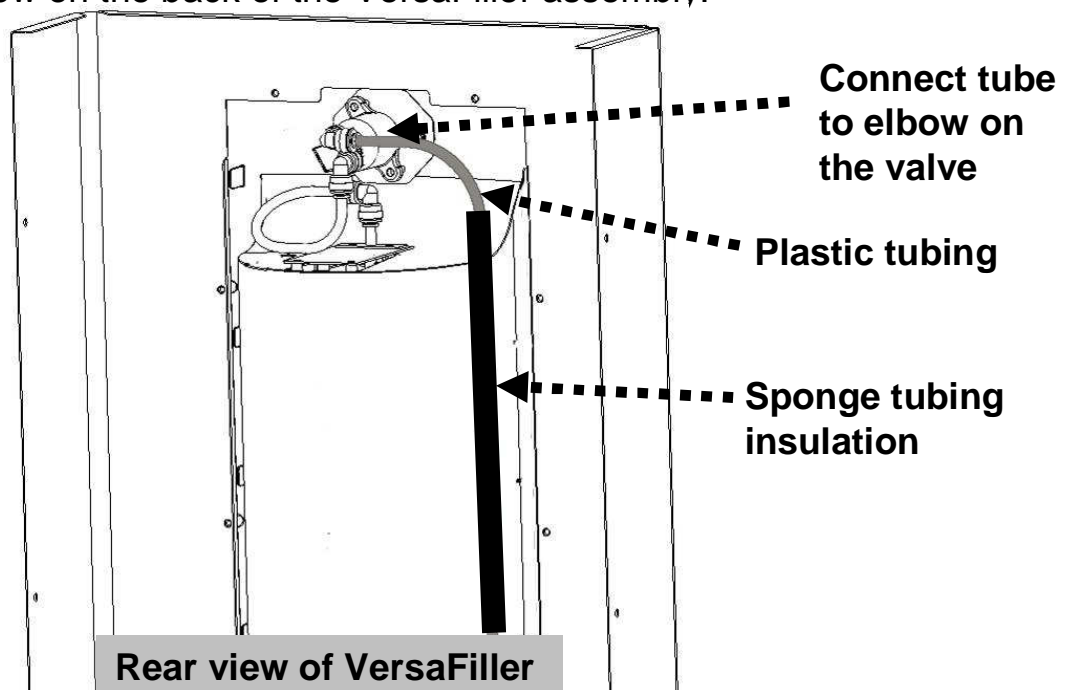
Section 3: Installation

2. Set the wall frame onto the gasket. Center it left/right and push it against the wall and mark hole locations for wall fasteners. The gasket will set the frame at the proper height.



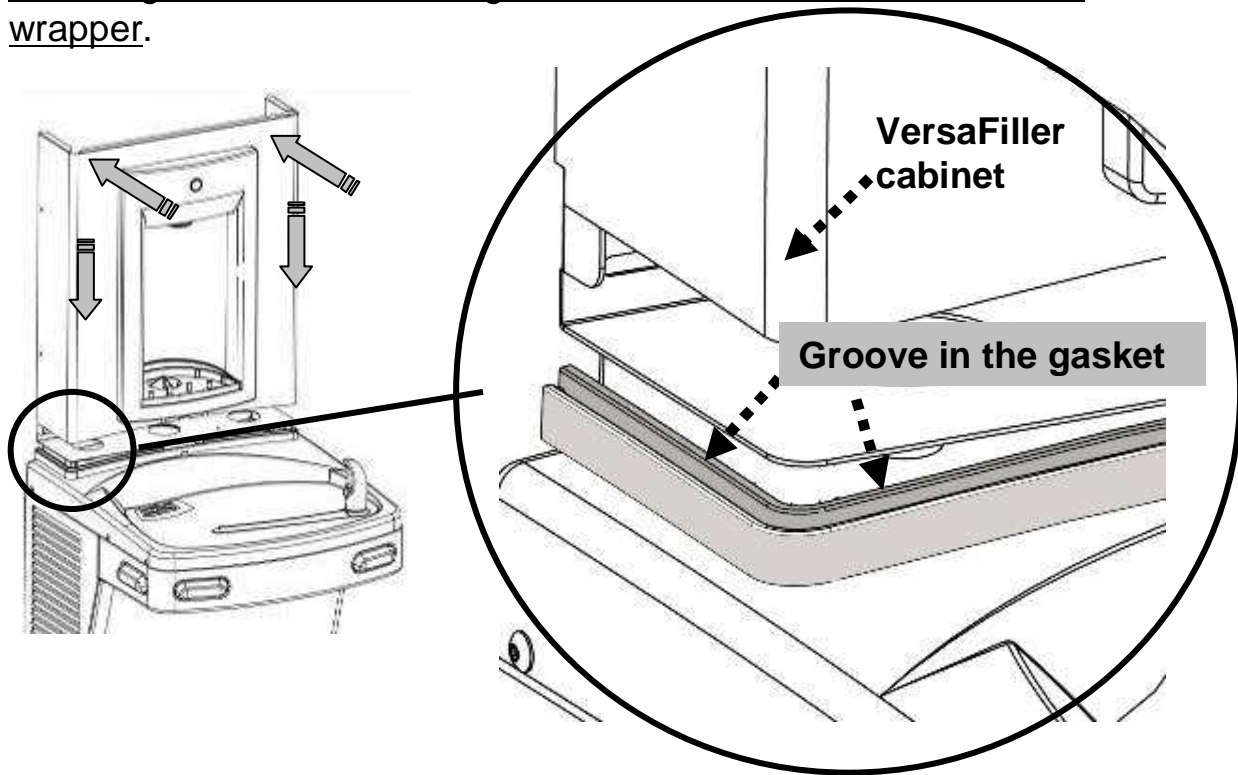
3. Secure frame to the wall with fasteners (not provided). Pull plastic tubing up through the hole in the frame.

4. Slide sponge tubing insulation over water line. Connect the tubing to the INLET elbow on the back of the VersaFiller assembly.

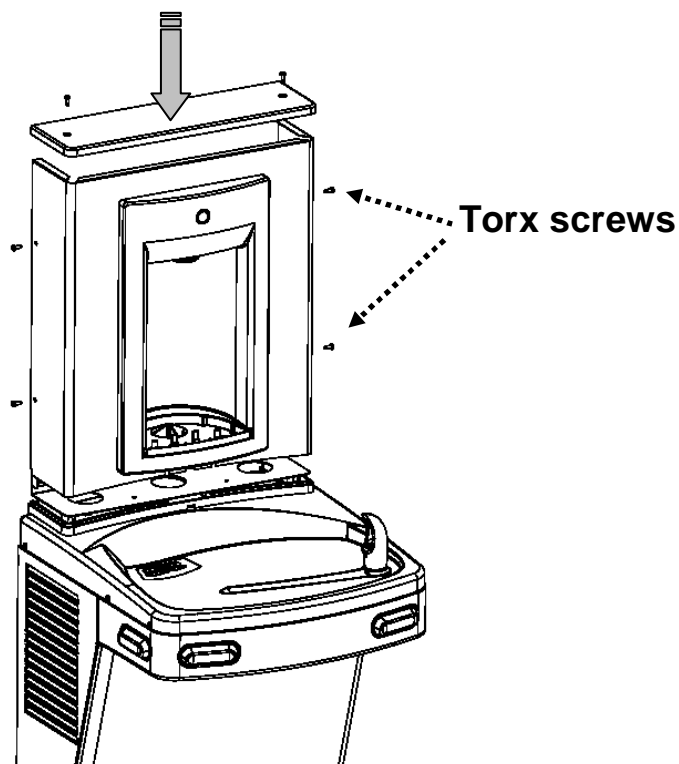


Section 3: Installation

5. Set the VersaFiller cabinet into place. MAKE SURE the cabinet fits into the groove in the rubber gasket on both sides and front of the wrapper.

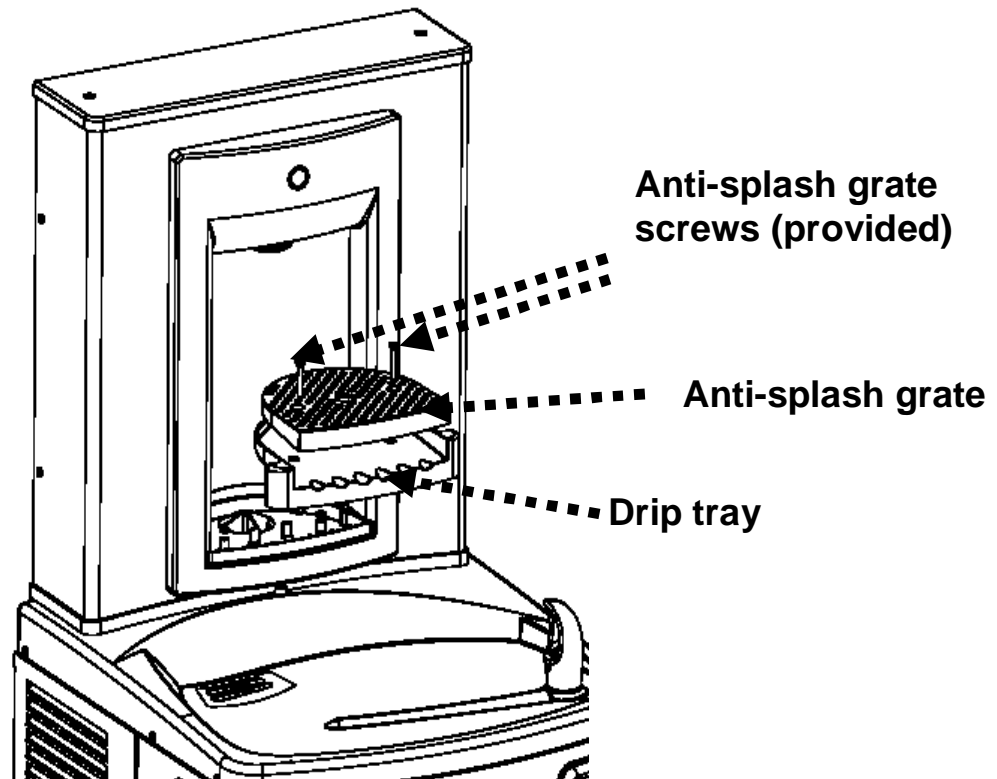


6. Attach VersaFiller assembly and top cap to the frame using the six (6) torx screws.

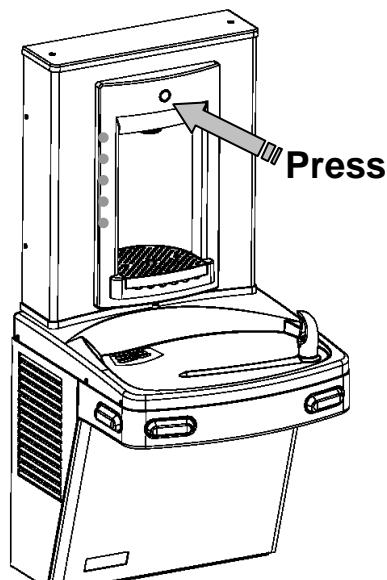


Section 3: Installation

7. Install the drip tray and anti-splash grate into the alcove area and secure with the two (2) stainless steel phillips head screws.



8. Turn ON water supply and check for leaks. Press the activation button and release any trapped air from the system. Plug in the power cord and replace the front panel IF it was removed earlier.



INSTALLATION COMPLETE

Addendum Section: Pressurizing Cooling Tank



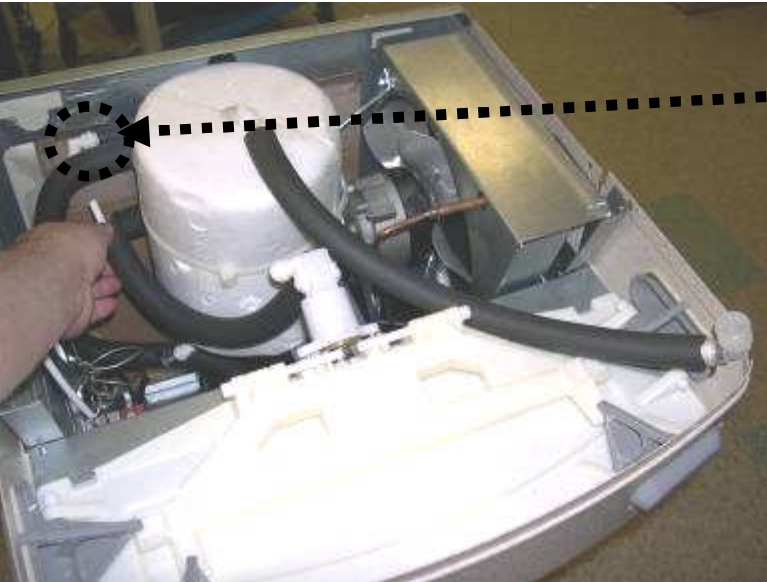
The water should already be turned OFF and the power disconnected.

Unit as it appears with top removed



STEP 1

Unplug un-insulated water line from water valve inlet (JG elbow located left side of water valve facing the front of the cooler). Set tubing aside (careful to not contaminate water contact end).



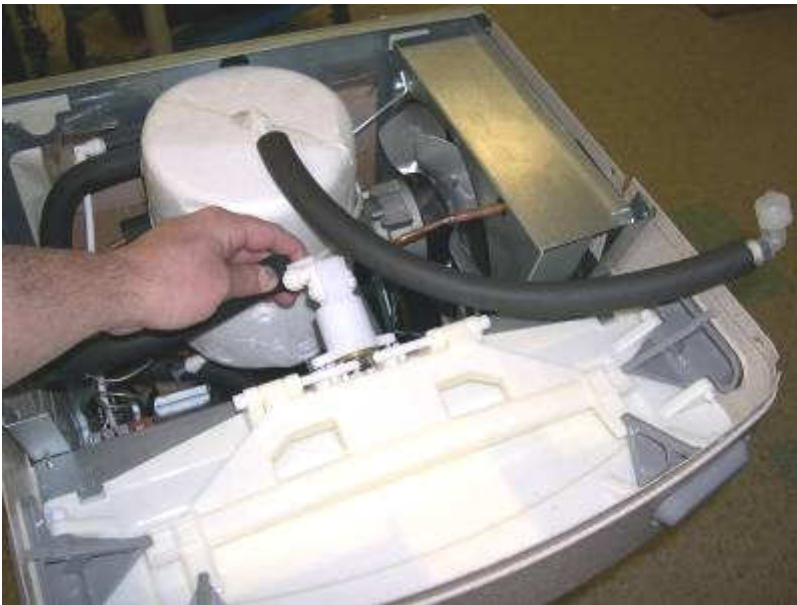
STEP 2

Unplug tubing from JG elbow leading to cooling tank inlet.



STEP 3

Plug un-insulated tubing that was removed in step 1 into JG elbow leading to the cooling tank from step 2.



STEP 4

Unplug tubing that is connected to the water valve outlet (JG elbow located on the right side of valve facing the cooler).



STEP 5

Connect tubing from step 4 to JG elbow on the left side of the valve.



Step 6

Unplug JG tubing from the cooling tank outlet. Do not set it down.



Step 7

Using tubing removed in step 6, plug into JG elbow on the right side of the valve. (be sure to rout the tubing under existing tubing installed in step 4 as shown)

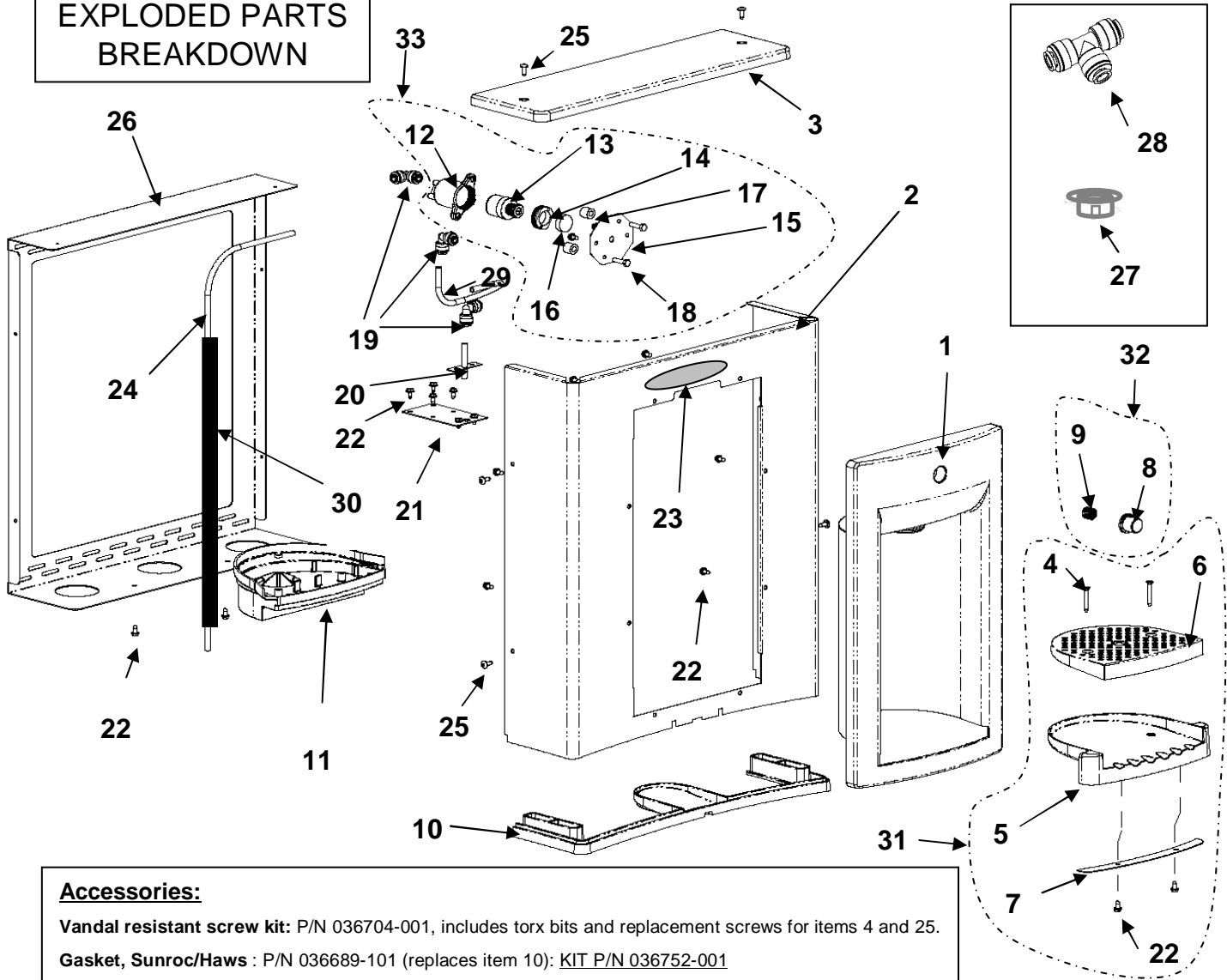


Step 8

Using tubing that is connected to the JG elbow left side of valve (done in step 4), and plug the other end to the JG fitting at the top of the cooling tank.

**Return to Section 3 B
“Connecting the water line”**

EXPLODED PARTS BREAKDOWN



Accessories:

Vandal resistant screw kit: P/N 036704-001, includes torx bits and replacement screws for items 4 and 25.

Gasket, Sunroc/Haws : P/N 036689-101 (replaces item 10): **KIT P/N 036752-001**

Gasket, Elkay/Halsey Taylor P/N 036689-201 (replaces item 10): **KIT P/N 036752-002**

*Items highlighted in **GRAY** are available as service parts

1 036190-002	ALCOVE, PWSBF	17 028706-036	WASHER/SPACER/GASKET-NON META
2 036691-001	WRAPPER, PWSBF STN2	18 026670-007	SCREW, HEX HD MACHINE
3 036686-001	CAP, PWSBF	19 028481-101	FTG, PP UNION ELBOW WHT
4 036049-002	SCREW, FLAT HEAD TAPPING	20 036479-001	FILL TUBE ASSY
5 036688-001	TRAY, DRIP PWSBF	21 036209-001	BRACKET, FILL TUBE SUPPORT
6 036695-001	TRAY, GRILLE DRIP	22 026642-003	SCREW, HEX HD TAPPING
7 036697-001	DRIP TRAY BOTTOM CAP	23 031206-005	INSERT, NAMEPLATE AQUAPOINTE
8 036194-002	BUTTON, PWSBF	24 030152-046	TUBE, PE CUT LENGTH WHI
9 034649-001	SPRING, MSBF	25 031875-003	SCREW, BUTTON HD TAPPING
10 036689-001	GASKET, PWSBF	26 036687-001	FRAME, PWSBF
11 036191-002	DRAIN, MSBF, SHORT	27 027189-007	BUSHING, SNAP
12 035990-001	HOLDER, CARTRIDGE STEM CON	28 029199-103	FTG, PP UNION TEE WHITE
13 029967-002	CARTRIDGE	29 030152-031	TUBE, PE CUT LENGTH WHI
14 A020957	NUT, RETAINING PLASTIC	30 017681-008	INSULATION, SPONGE TUBING
15 036690-001	BRACKET, VALVE PWSBF	31 036701-001	DRIP TRAY ASSEMBLY-SERVICE
16 030176-002	PLUG, HOLE	32 036702-001	BUTTON ASSEMBLY, PWSBF-SERVICE
		33 036231-001-SP	VALVE ASSEMBLY, PWSBF DISPENSE-SERVICE

P/N 030099-412 Date: 1/2014 Rev F

© 2014 LVD Acquisition, LLC

Oasis, Aqua Pointe, Versacooler and VersaFiller are registered trademarks of LVD Acquisition.

Haws is a registered trademark of HAWS Corporation.

Elkay and Halsey Taylor are registered trademarks owned or licensed by Elkay Sales Inc. and/or its parent Elkay Manufacturing Company



Oasis International
 222 East Campus View Blvd.
 Columbus, OH 43235
 614-861-1350
www.oasiscoolers.com