

**Features**

- Solid brass construction
- Soft touch air activated
- 6’ supply air hose
- U/L listed 120VAC -15 amp indoor use only outlet adapter
- 15/16” (2.4 cm) trim height
- 1-7/8” (4.8 cm) trim diameter
- Complements Heaney Series

**Air Activated Disposer Switch Kit**

**3190-5811**

**Also 20-382**



**Codes / Standards Compliance**

Meets or exceeds the following at date of manufacture:

- U/L
- All applicable US Federal and State material regulations

**Colors / Finishes**

- 10B: Oil Rubbed Bronze
- 15: Polished Nickel
- 15S: Satin Nickel - PVD
- 26: Polished Chrome
- Other: Refer to the Newport Brass catalog for additional color/finish options.



20-382

3190-5811

**Specified Model**

Model	Description	Colors   Finishes				
3190-5811	Air Activated Disposer Switch Kit	<input type="checkbox"/> 10B	<input type="checkbox"/> 15	<input type="checkbox"/> 15S	<input type="checkbox"/> 26	<input type="checkbox"/> Other
20-382	Air Activated Disposer Switch Trim	<input type="checkbox"/> 10B	<input type="checkbox"/> 15	<input type="checkbox"/> 15S	<input type="checkbox"/> 26	<input type="checkbox"/> Other

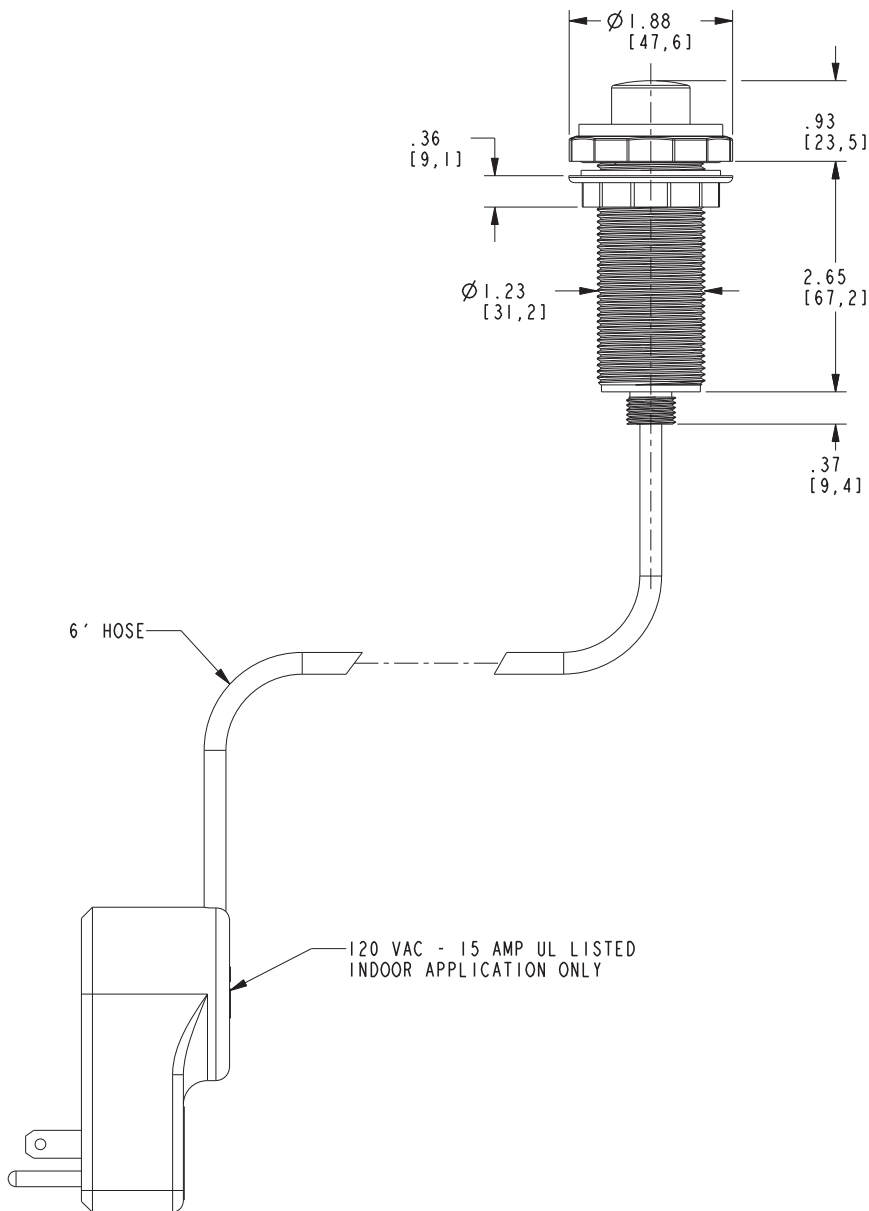
\* Note: Requires 1-1/4” to 1-11/16” through hole. Accommodates 2-1/4” maximum deck thickness.

**Product Specification** Add “Color / Finish” suffix to Model number, below.

Air Activated Disposer Switch shall include 6’ of supply air hose. Air Activated Disposer Switch shall include U/L listed 120VAC -15 amp indoor use only outlet adapter. Air Activated Disposer Switch shall be Newport Brass Model 3190-5811/\_\_\_\_ .

# 3190-5811

## PRODUCT DIMENSIONS *(Units are in inches)*



### Heaney Air Activated Disposer Switch Kit 3190-5811