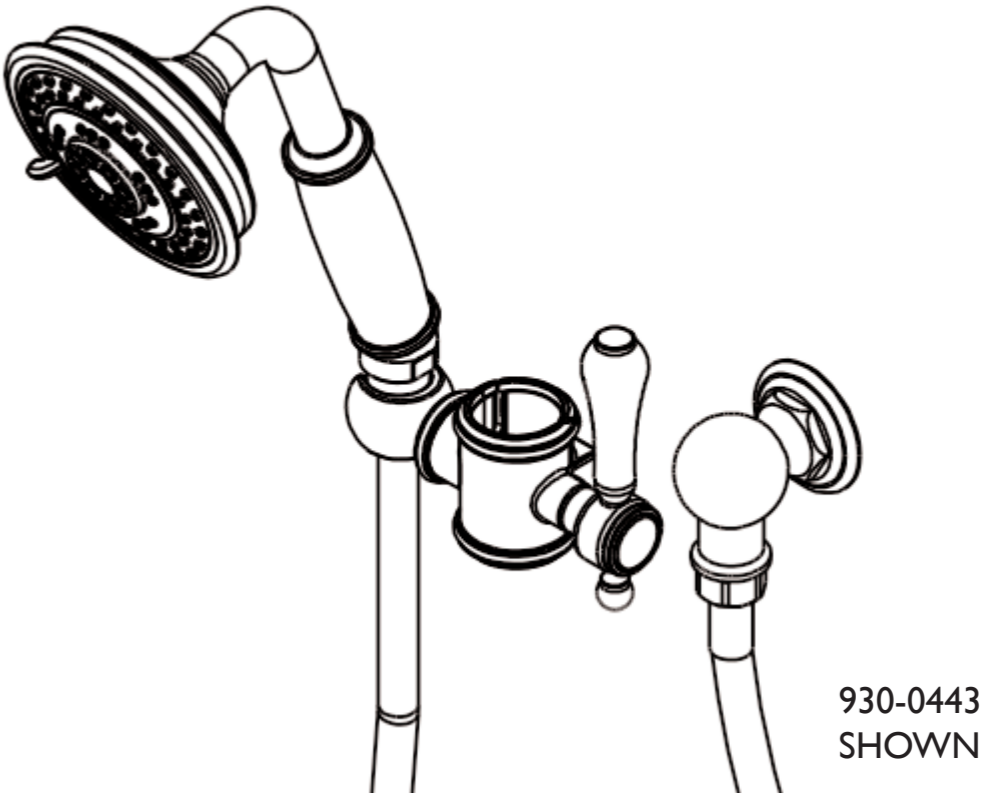


INSTALLATION INSTRUCTIONS
MODEL No's: 930-0442, 930-0443, 990-0442, 990-0443

GRAB BAR HANDSHOWER HOLDER



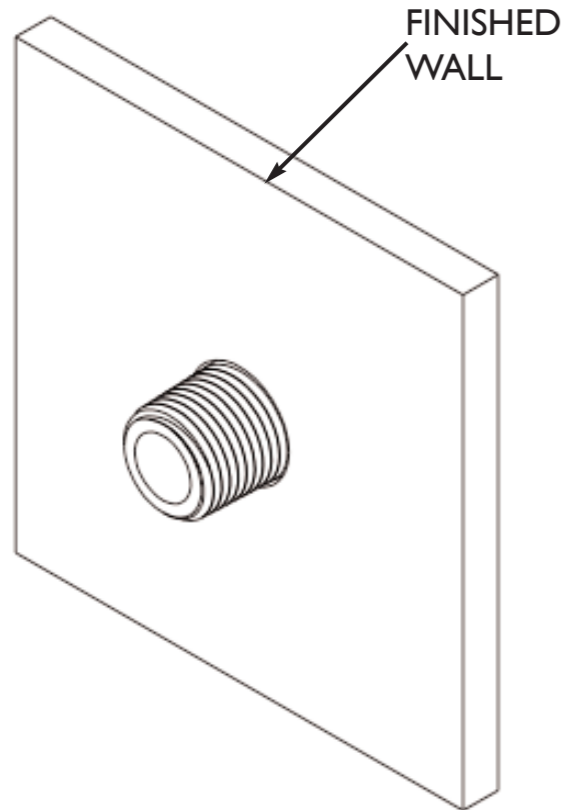
NEWPORT BRASS
Flawless Beauty. From Faucet to Finish.™

2001 E.CARNEGIE AVE, SANTA ANNA CA 92705
(949) 417-5207
WWW.GINGERCO.COM

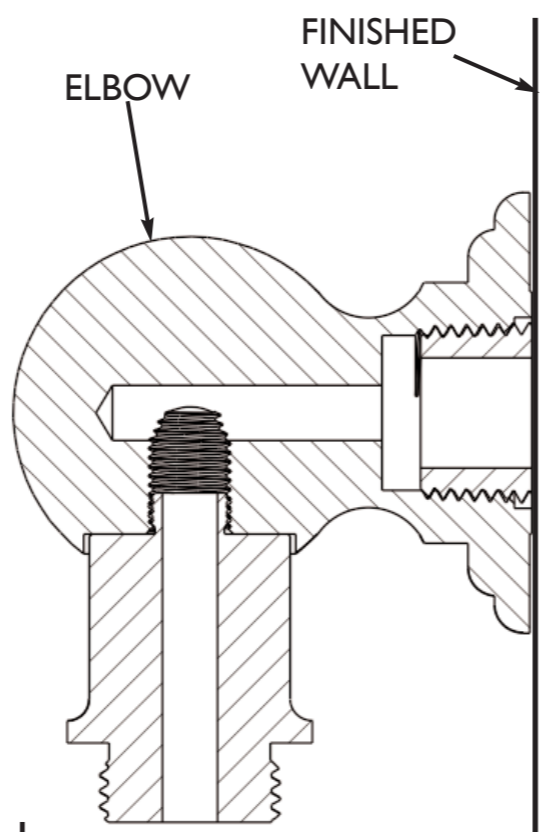
NWP-930-0442
EN-3959
09/06/2019

REV A

1/2" NPT PIPE INSTALLATION

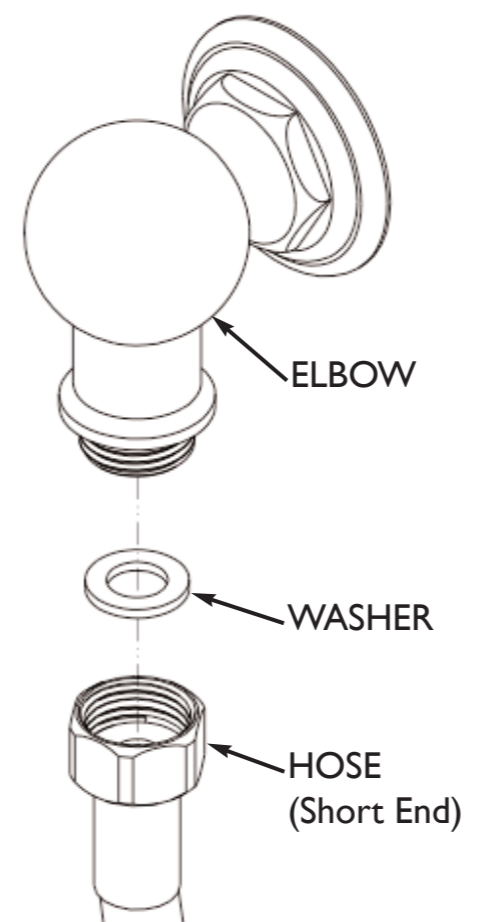


THREAD ELBOW ONTO PIPE
TIGHTEN AGAINST WALL



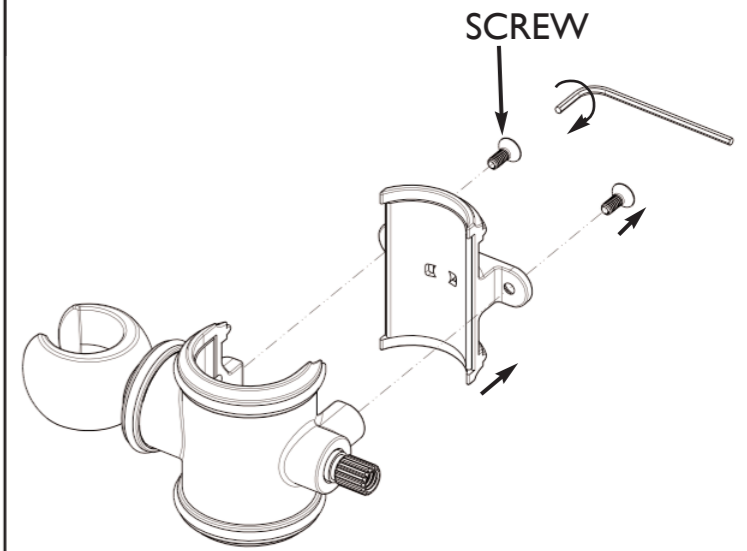
STEP 1

INSTALL HOSE ON TO ELBOW



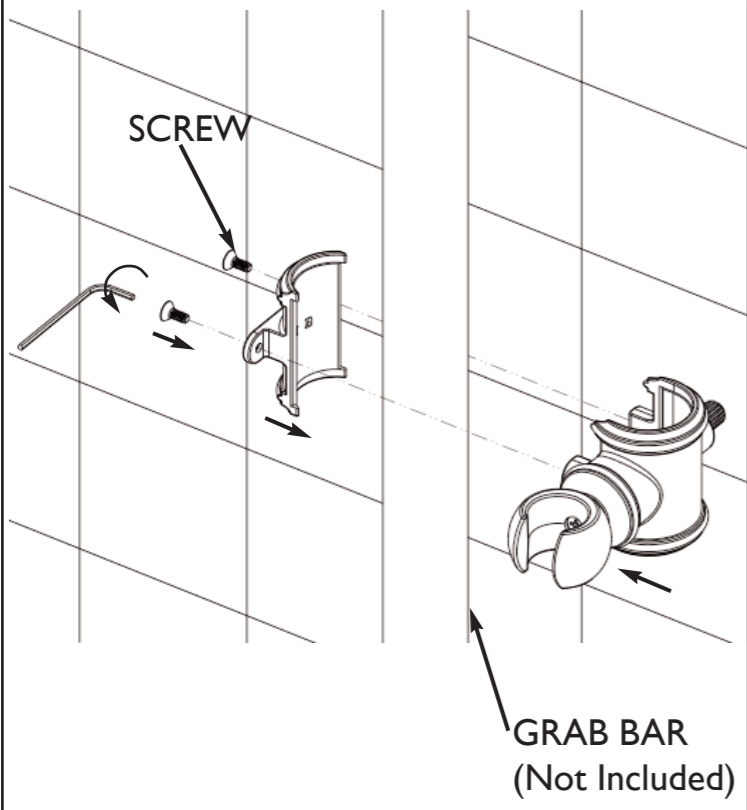
STEP 2

UNSCREW AND OPEN THE
HOLDER



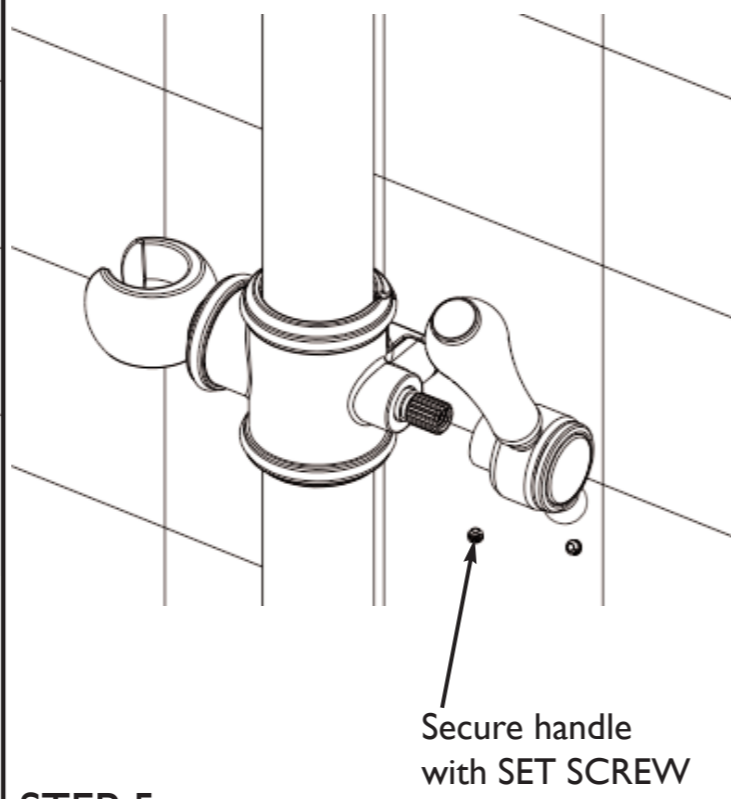
STEP 3

INSTALL HOLDER ON GRAB BAR



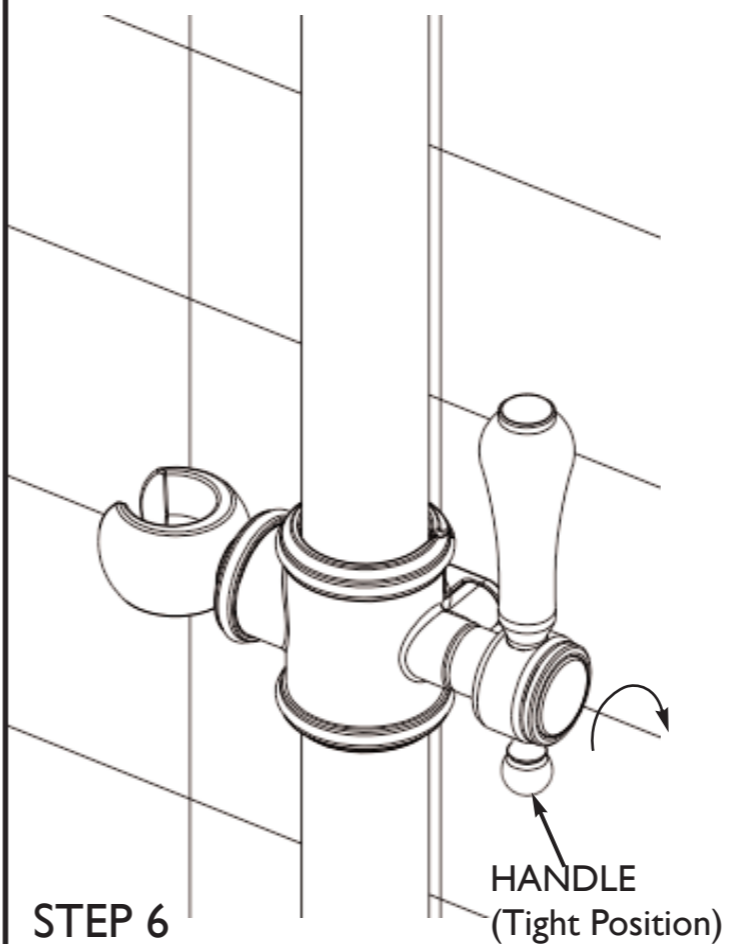
STEP 4

INSTALL HANDLE



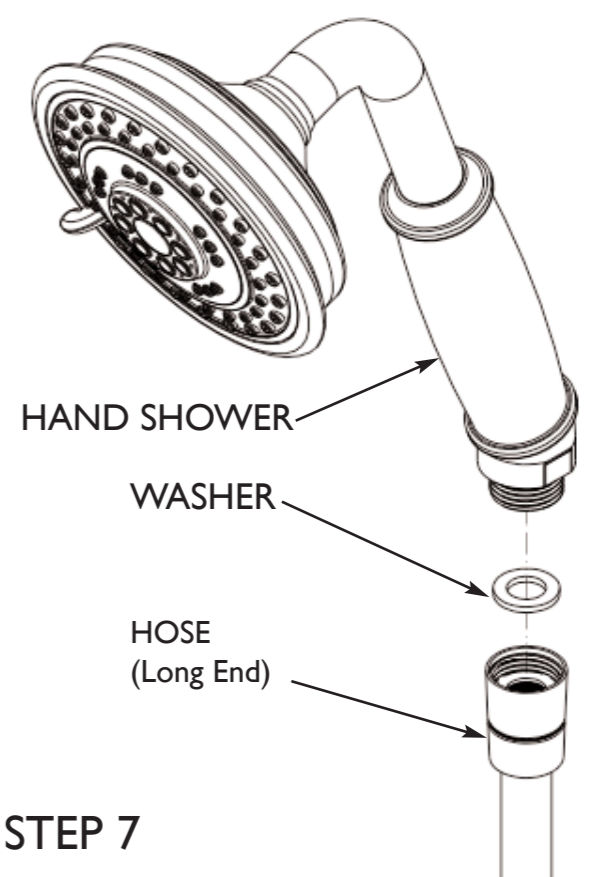
STEP 5

LOCK POSITION OF HOLDER



STEP 6

INSTALL HOSE ON TO
HAND SHOWER



STEP 7