



# INSTALLATION INSTRUCTIONS

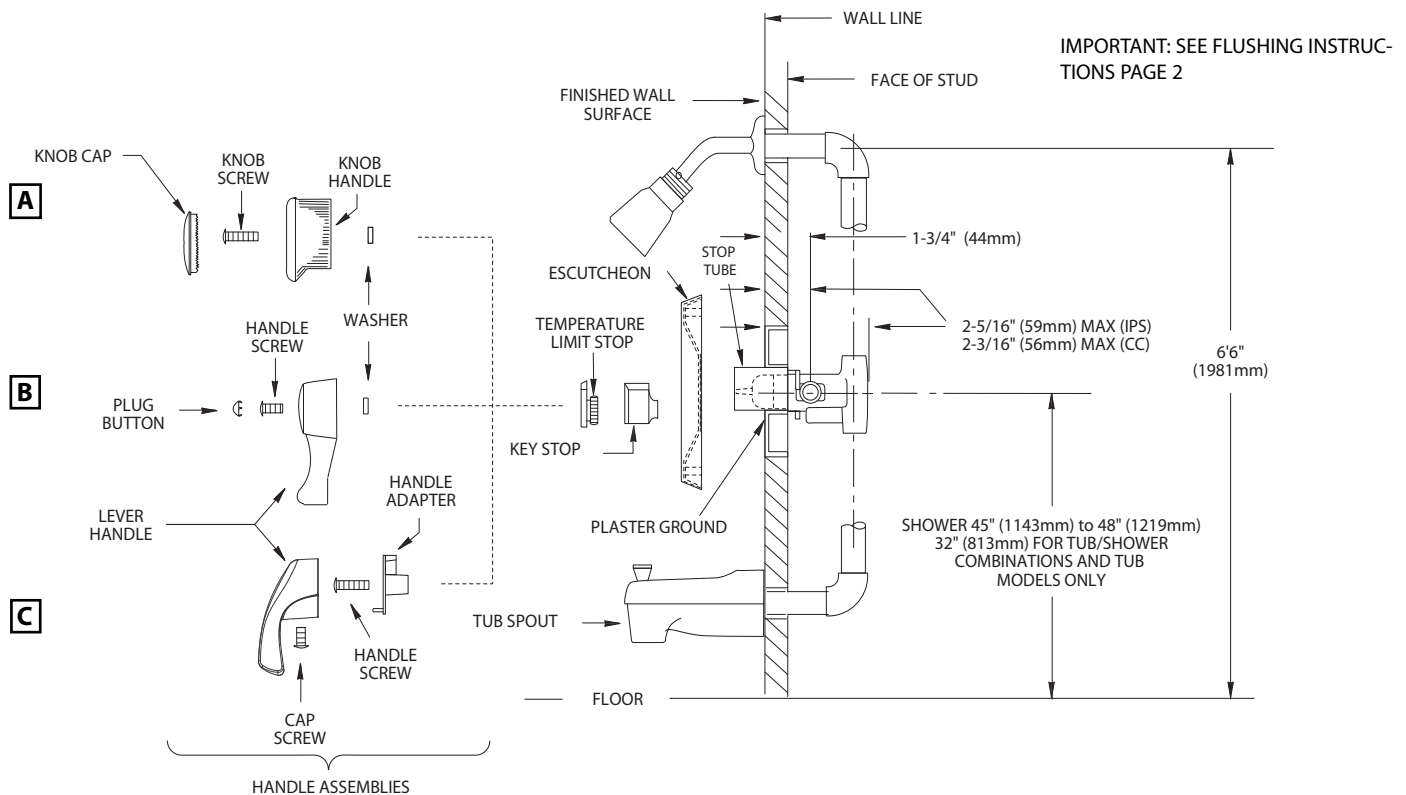
THESE INSTRUCTIONS MUST BE  
 LEFT WITH HOMEOWNER

## POSI-TEMP TUB AND SHOWER VALVES

Available with and without stops.  
 Connections are either 1/2 inch I.P.S. pipe or 1/2 inch copper sweat connections.  
 If the Moen Slip Fit spout is used, a 1/2 inch copper drop and lookout may be used.

### Measurements

These are shown in the drawings. **The depth measurement is critical. Use the front face of the plaster ground as a reference point for the finished wall position, including tile ( 1-3/4" [44mm] ).** The supply piping centerline should be a maximum of 2" (51mm) and a minimum of 1" (25mm) behind the wall surface. Use thick wall handle extension kit 96945 for wall thickness 13/16" to 1-13/16". Use handle kit 96955 for wall thickness 1-13/16" to 2-13/16".

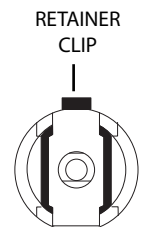


IMPORTANT: SEE FLUSHING INSTRUCTIONS PAGE 2

### CAUTION:

**Always turn water off before disassembling the valve. Open valve handle to relieve water pressure and to insure that complete water shut-off has been accomplished.**

Before turning water on during either rough-in or trim-out, make sure that cartridge retainer clip is in place. The cartridge and retainer clip were properly installed and tested before leaving the factory. Although it is unlikely, it is nevertheless possible that through the handling of the valve by any number of persons the retainer clip may not be properly installed. This should be carefully checked at time of rough-in and trim-out. If the retainer clip is not properly installed, water pressure could force the cartridge out of the casting. Personal injury or water damage to the premises could result.



# Stop Operation

CC - This type is integral with casting, actuated by screwdriver, and require a 90° turn to open or close. When the screwdriver slot is vertical, the rubber stop is closed, and when the slot is horizontal, the rubber stop is open.

IPS - This type has been added to the basic shower casting and is actuated by a screwdriver. The stop is opened by rotating in a counterclockwise direction until it stops and closed by rotating in a clockwise direction until it bottoms.

# Rough-In

**MAKE SURE ALL WATER SUPPLIES ARE OFF.**

Note the word "TOP" on the casting. Install casting with the TOP facing UP. If the valve is to be used for a shower only, plug the bottom outlet. If the valve is to be used for both a shower and a tub, connect the top outlet to the shower and the bottom outlet to the tub. Secure all pipes and the shower and tub drop ells. Use thread seal tape on all threads.

# Flushing

**IMPORTANT: Before closing all wall openings, pressure test valve and complete system using flushing instructions**

Pipe chips, sand and other solids found in new and renovated plumbing can damage the sealing surfaces of the cartridge causing a leak or cause the spool to become blocked. To avoid damage, **DO NOT TURN ON SUPPLY VALVES** until instructed below.

**Make sure both hot and cold supplies are off.** Rotate the cartridge stem until the notched flat points up to relieve pressure and insure complete shut-off. Remove the cartridge assembly (see "Disassembly"). Slowly turn on both hot and cold supplies and thoroughly flush out the body and lines. Close the hot and cold supplies and replace the cartridge assembly (see "Reassembly"), turn on both supplies and check the system for leaks.

If the balancing spool becomes stuck, it will be apparent at the trim-out test in that the valve will deliver only a small trickle of water, or it will deliver only hot or cold water. If this occurs, proceed as follows:

Make sure that both the hot and cold water service lines are "ON". Also make sure that both rubber stop valves are open (stop models). The valve **WILL NOT OPERATE** unless both supplies are "ON".

If the valve still does not function properly, turn off BOTH the hot and cold supplies and remove the cartridge assembly. A cartridge twisting tool is required for this. The inner spool in the cartridge assembly should shake back and forth freely. If this does not happen, remove the stem assembly from the cartridge sleeve, remove the cap from the stem assembly and remove the balance spool. Sometimes the stem assembly may have to be jarred to free the spool. Carefully clean any foreign material from the balance spool and stem assembly and reassemble (see illustration). **CAUTION: DO NOT DAMAGE O-RINGS.** The spool should move back and forth after the stem assembly is cleaned. If spool still does not free up, replace the entire cartridge assembly.

Make sure O-rings are free of foreign material and are lubricated. Re-assemble stem assembly into cartridge sleeve. Re-assemble cartridge into valve. (See "Reassembly"). Turn both water supplies on. The valve should function properly.

# Slip-Fit spouts

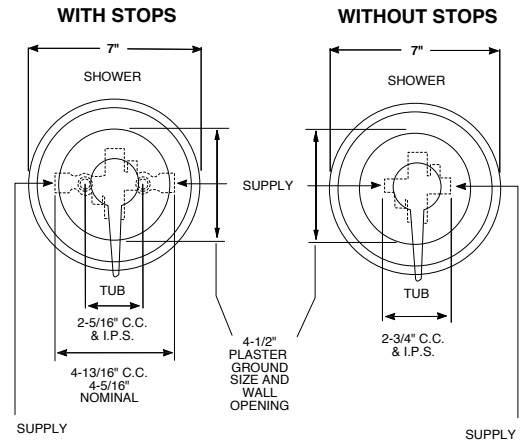
C.C. SPOUT: The Moen Slip Fit spout is designed with an O-ring seal. It is specifically designed for installation with copper water tube. Lookout must be free from burrs inside and out. The edge must not be rolled inward from a dull tubing cutter. The outside surface must be free from nicks and scratches.

Press and twist the spout onto the lookout upside down. Tighten the clamp screw with a 5/32" hex wrench until it just starts to bind. Turn spout upright into position against the wall and finish tightening the clamp screw by hand. The use of pliers or another wrench on the hex wrench is not necessary. Do not overtighten.

IPS SPOUT:

**CAUTION:** This spout is A.B.S. plastic and will crack when in contact with some pipe thread compounds. Please read the pipe compound label to be certain. We recommend using thread seal tape thread sealant.

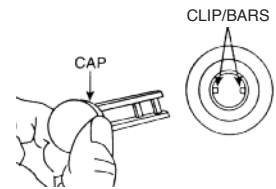
Screw tub spout onto pipe and tighten by hand. If final turn by wrench is needed, use small wrench with smooth jaws; otherwise, pad wrench teeth with rag. Pull outward on spout while tightening to avoid scratching wall. **DO NOT INSERT TOOL INTO SPOUT END TO TURN SPOUT.**



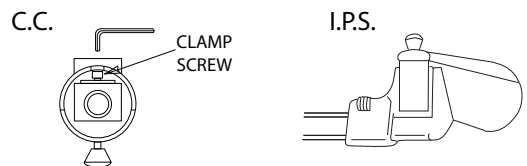
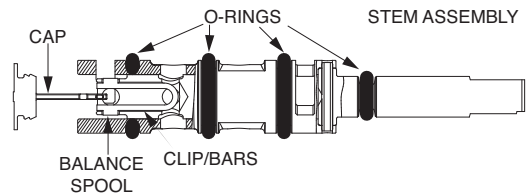
**CAUTION**

This valve is equipped with the Moen long-life POSI-TEMP cartridge, designed for smooth, trouble-free operation. When soldering do not heat valve any higher than necessary to flow the solder. Overheating may damage the cartridge or rubber stop valves. Following this direction will allow you to solder without removing the cartridge or rubber stop valves.

**WARNING:** The cartridge and rubber stop valves **MUST** be removed before either brazing or resistance (electric) soldering.



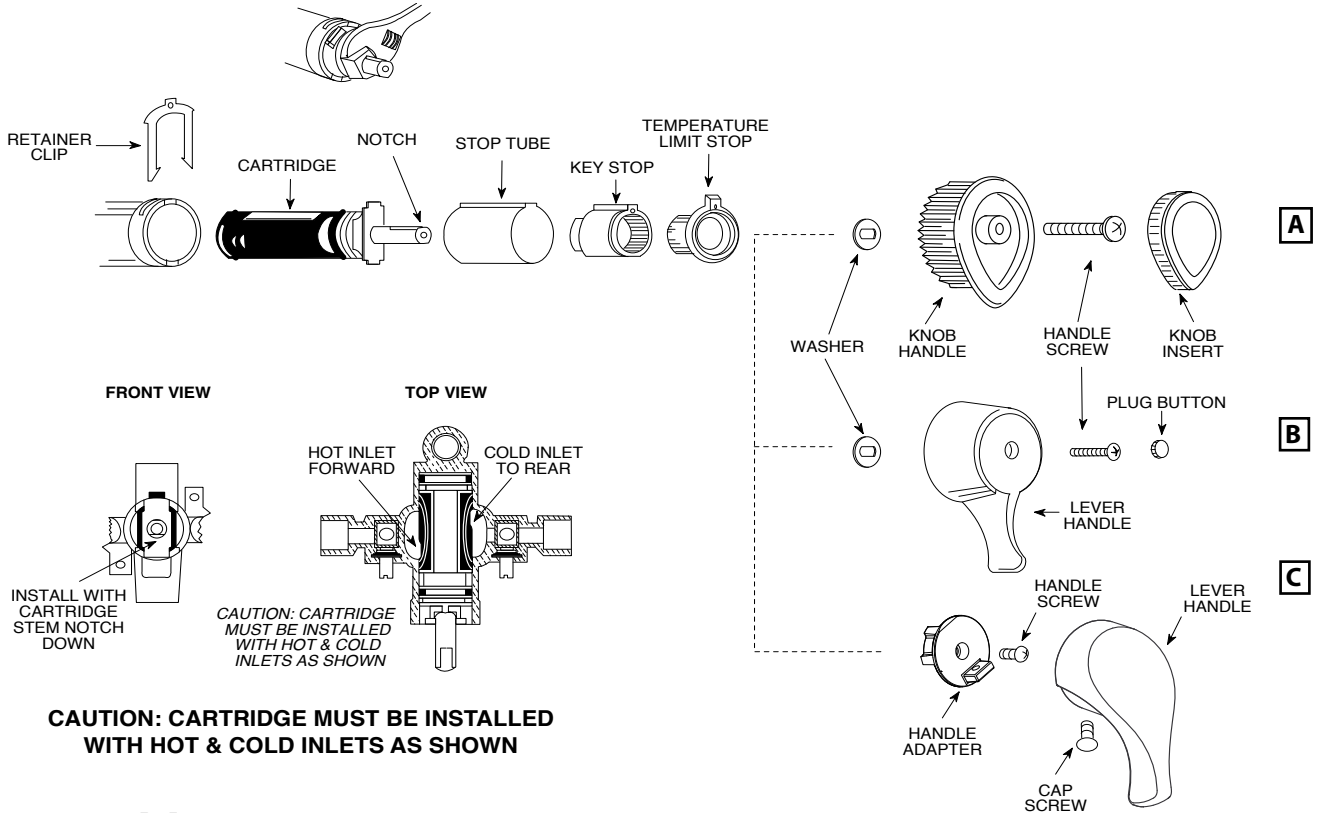
**ORIENT THE CLIP IN THE SPOOL AND THE CAP FINGERS AS SHOWN ABOVE.**



# Disassembly

Turn "OFF" both hot and cold water supplies, then rotate handle counterclockwise until the lever points straight up to relieve pressure. Remove handle parts.

1. For handle style **A** + **B**, remove handle insert or plug button. Take out handle screw, remove handle and washer.  
For handle style **C**, remove cap screw and handle. Remove handle screw and handle adapter.
2. Remove temperature limit stop, key stop and stop tube. Lift out retainer clip.  
Rotate cartridge shell between the Eleven and One O'Clock position with Moen cartridge twist wrench, grasp the cartridge stem with pliers, and pull out the cartridge.



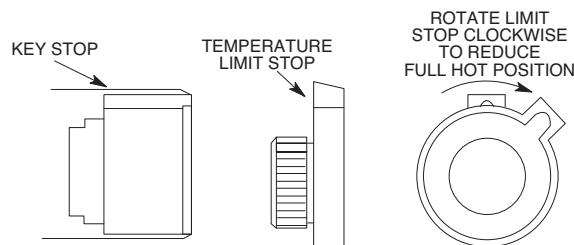
# Reassembly

Properly orient the cartridge, see illustration above, then re-insert cartridge by pushing it all the way into the body until the front of the ears on the cartridge shell are flush and aligned with the top and bottom of the valve body. Replace the retainer clip so that the legs straddle the cartridge ears and slide down into the bottom slot in the body. This prevents the cartridge from rotating and locks it in the body. Reinstall stop tube and parts. Limit stop must be installed with offset at TOP (12 o'clock) position to obtain maximum hot water. The notched flat on the stem must point DOWN when mounting the handle.

# To Adjust Temperature Limit Stops

**CAUTION:** Due to seasonal temperature change of the cold water supply, the temperature limit must be readjusted accordingly to maintain the desired maximum discharge temperature.

1. Rotate the handle counterclockwise to the stop, let the water run for several minutes to purge cool water from the hot water supply line, check the hot water temperature.
2. Rotate handle clockwise to off. Remove handle parts, see "Disassembly" and temperature limit stop, rotate the stop clockwise to decrease (counterclockwise to increase) maximum hot water temperature and reinstall into key stop.
3. For handle styles **A** & **B** replace handle, for style **C** replace handle adapter, do not use handle screws.
4. Rotate the handle or handle adapter counterclockwise to the stop, recheck maximum hot water temperature.
5. Repeat steps 2,3 & 4 until desired maximum temperature is achieved. Install handle parts, see Handle Attachment under "Trim" on following page.



# Trim

## MAKE SURE ALL WATER SUPPLIES ARE OFF TO INSTALL TRIM AFTER ROUGH-IN

Slide the flange onto the long end of the shower arm. Wrap both ends of shower arm with thread seal tape and screw long end of shower arm into pipe ell inside the wall. Do not install the showerhead.

Install tub spout (see page 2).

Remove screw holding plaster ground and stop tube guard in place and discard. Temporarily install handle. Turn on water, pull up on tub spout diverter knob and flush the shower riser for 15 seconds. Install showerhead and check system for leaks. If there are no leaks, turn OFF water and remove handle and limit stop.

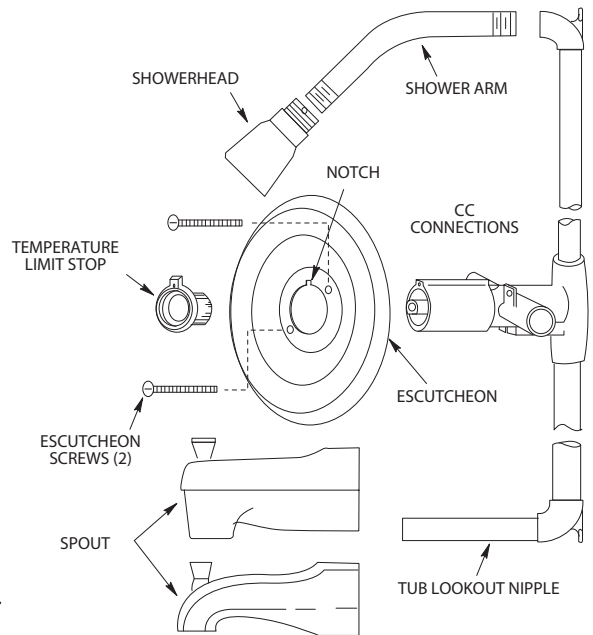
Install escutcheon plate with two screws provided. Mount with the escutcheon notch UP.

Install limit stop (see temperature limit stop section). The notched flat on the cartridge stem must point DOWN when mounting handle.

### Handle Attachment :

For handle style **A** + **B**. Mount handle on the stem and replace handle screw tightly. Snap handle insert or plug button in place on the handle.

For handle style **C**. Mount handle adapter on the stem and replace handle screw tightly. Mount handle on handle adapter and replace set screw.



## TO REMOVE STOP VALVE

Always turn water supply OFF before disassembly (see disassembly).

### Removal of stop valve:

1. Remove handle parts (see disassembly) and escutcheon.
2. Using snap ring pliers, remove retaining ring from valve body.
3. Grip stop valve stem with pliers and rotate slightly to remove from valve body.

### Re-Installation of new stop valve:

1. Check to be sure that stop valve stem is fully seated in plug.
2. Insert stop valve until fully seated beyond retaining ring groove in valve body.
3. Using snap ring pliers, place retaining ring in valve body, making sure that ring is fully seated.
4. Check orientation of stop valve for water flow. (Stop is in the off position when screwdriver slot is vertical).
5. Turn water supply on.

*Not for use with Moentrol valves.*

## To Eliminate Cross-Piping On Back-To-Back Installations, or To Correct Reversed Rough-In Where Hot and Cold Positions Are Reversed:

Remove cartridge assembly, rotate 180 degrees and re-install (see "Reassembly" above). CAUTION: MAKE SURE NOTCH ON STEM IS POINTING UP. Re-install retainer clip, handle washer, stop tube, key stop and handle parts.

**HELPLINE: Call our toll free Helpline number,**



**(800) BUY-MOEN  
(289-6636)**

for answers to any product, installation, replacement parts, or warranty questions.

