

Material

- Includes face plate with handle.
- Single handle controls both on/off activation and temperature setting.
- Supplied with ADA compliant metal lever handle.
- Integrated push button diverter.
- Complements the Composed faucet and accessory collections.
- Premium material construction with metal handle ensures reliability and durability.
- KOHLER finishes resist corrosion and tarnishing.
- Trim set requires valve to complete installation.
- Includes faceplate with single lever handle that controls both on/off activation and temperature setting.
- Includes push-button diverter.
- Valve features an adjustable high-temperature limit stop to control maximum temperature to eliminate scalding.
- Trim only; requires K-11748-K Rite-Temp pressure-balancing valve with diverter.
- Coordinates with faucets and accessories in the Composed collection.
- Premium material construction with metal handle ensures reliability and durability.
- NEW Vibrant® Titanium finish provides an edgy, mid-gray metallic look for a modern bathroom.
- KOHLER finishes resist corrosion and tarnishing.
- Rite-Temp® pressure-balancing technology maintains water temperature within +/-3 degrees Fahrenheit.
- Trim set requires valve to complete installation.

Required Products/Accessories

K-11748 Series Rite-Temp® Valves

Optional Products/Accessories

1156950 Rite-Temp® Roughing-in Kit



ADA

Codes/Standards

ASME A112.18.1/CSA B125.1
ADA
ICC/ANSI A117.1

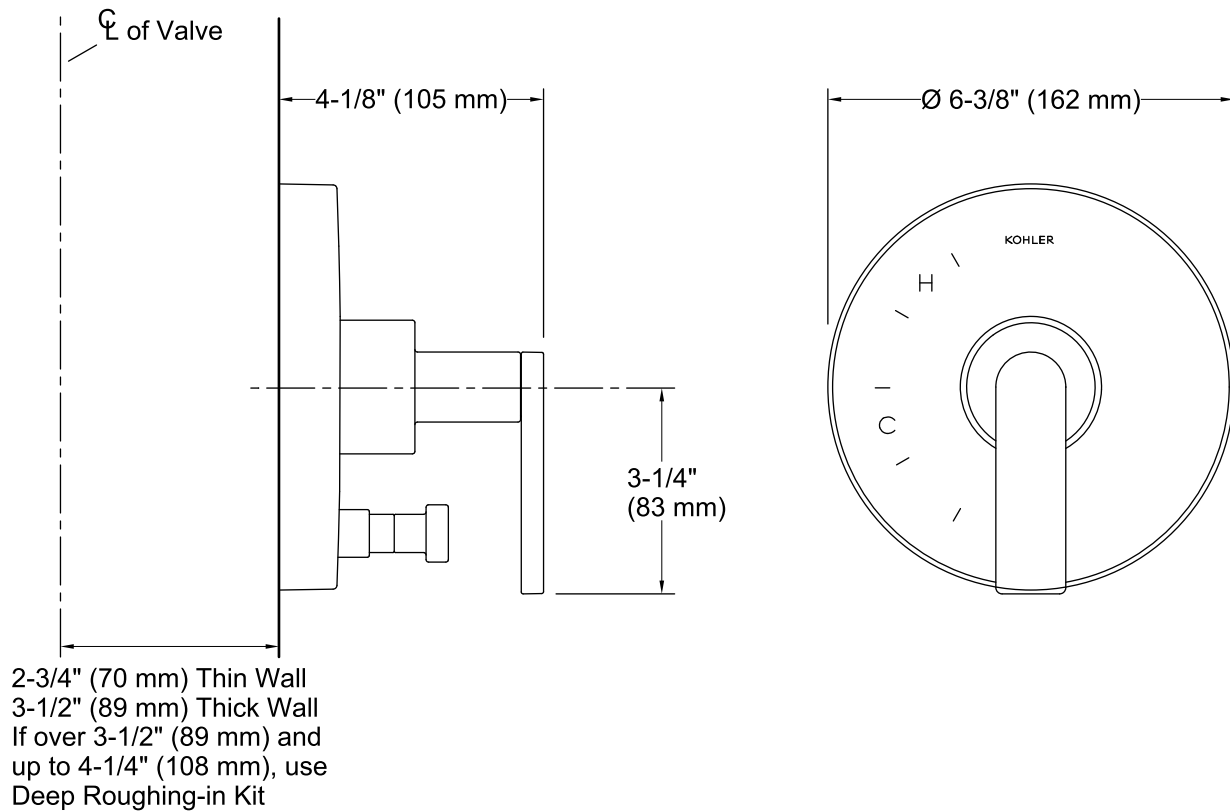
KOHLER® Faucet Lifetime Limited Warranty

See website for detailed warranty information.

Available Colors/Finishes

Color tiles intended for reference only.

Color	Code	Description
	CP	Polished Chrome
	TT	Titanium



Technical Information

All product dimensions are nominal.

Notes

Install this product according to the installation guide.

ADA compliant when installed to the specific requirements of these regulations.