

Features

- Spray performance delivers a "drenching" rain experience.
- Angled nozzles provide a full-coverage spray.
- MasterClean™ sprayface resists hard water buildup and is easy to clean.
- 2.5 gpm (9.5 lpm) maximum flow rate.
- Coordinates with other products in the Honesty collection.
- 1/2" NPT connection.

Material

- KOHLER finishes resist corrosion and tarnishing.

Installation

- Wall- or ceiling-mount.
- Shower arm and flange sold separately.

Recommended Products/Accessories

K-23723 Faucet cleaner



Codes/Standards




ASME A112.18.1/CSA B125.1
DOE - Energy Policy Act 1992

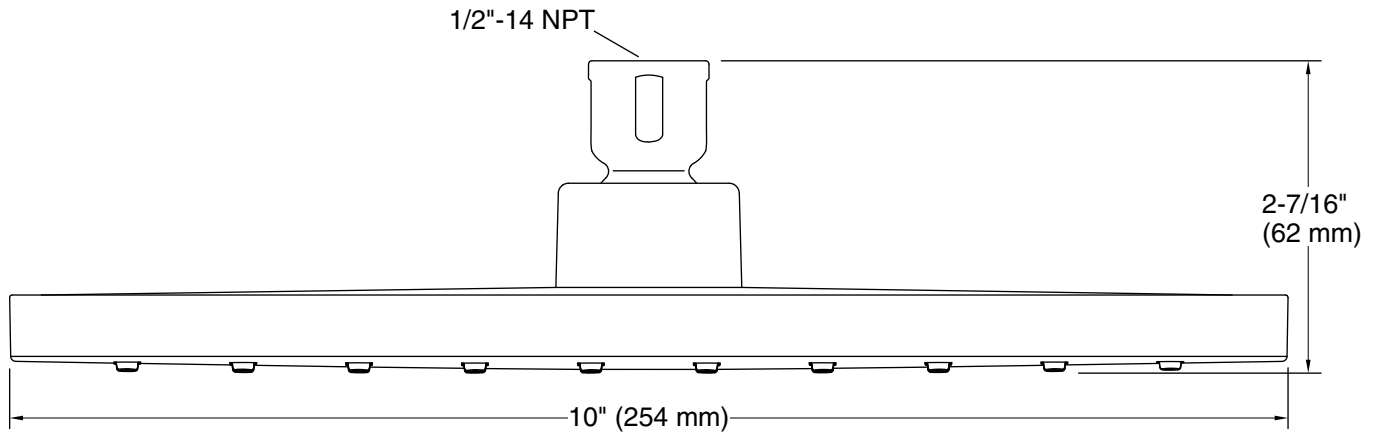
KOHLER® Faucet Lifetime Limited Warranty

See website for detailed warranty information.

Available Colors/Finishes

Color tiles intended for reference only.

Color	Code	Description
	CP	Polished Chrome
	BN	Vibrant® Brushed Nickel
	BL	Matte Black



Technical Information

All product dimensions are nominal.

Drain included: No

Showerhead/Body Spray:

Rated maximum flow: 2.5 gal/min (9.5 l/min)

Pressure: 80 psi (5.5 bar)

Notes

For use with automatic compensating valves rated at 2.10 gal/min (7.9 l/min) or less.

Install this product according to the installation instructions.