



Chesapeake™

Wall-Mount Bathroom Sink

K-1728

Features

- Made from premium materials that withstand high-volume usage
- Constructed of vitreous china
- 19-1/4"L x 17-1/4"W
- Wall-mount installation
- Faucet not included
- Ledge-back
- Includes wall hanger
- Drilled for concealed arm carrier

Recommended Products/Accessories

K-8998 P-Trap

Included Components

Additional Components:

Hanger(s)



ADA

Codes/Standards

ASME A112.19.2/CSA B45.1

ADA

ICC/ANSI A117.1




KOHLER® One-Year Limited Warranty

See website for detailed warranty information.

Available Colors/Finishes

Color tiles intended for reference only.

Color	Code	Description
-------	------	-------------

	0	White
	96	Biscuit
	47	Almond

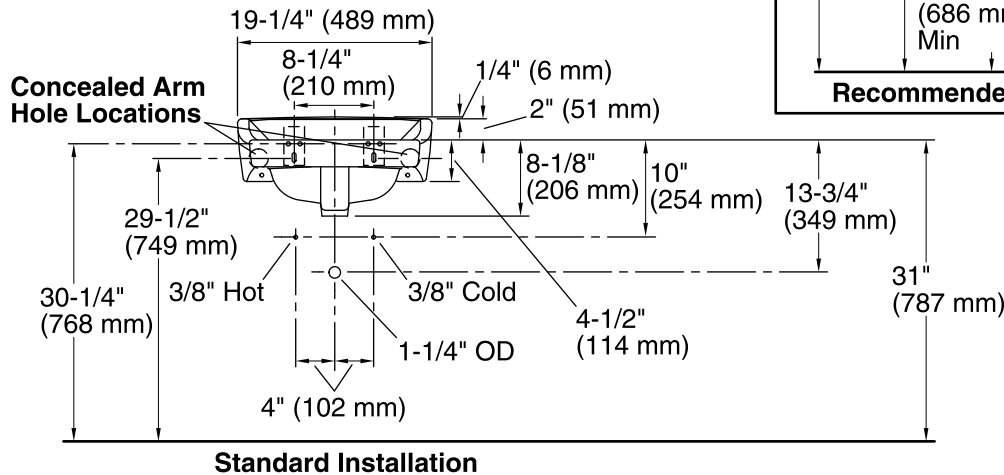
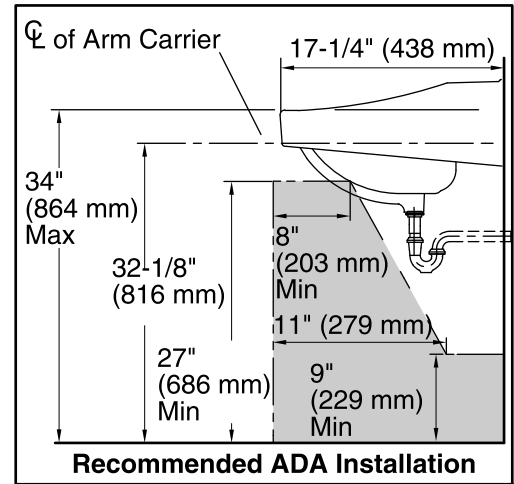
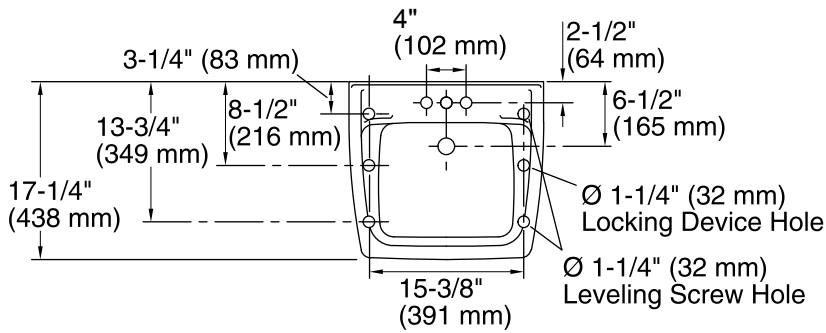
1-800-4KOHLER (1-800-456-4537)

Kohler Co. reserves the right to make revisions without notice to product specifications.

For the most current Specification Sheet, go to www.kohler.com.

9-7-2019 07:26 - US/CA

THE BOLD LOOK
OF **KOHLER**®



Technical Information

All product dimensions are nominal.

Bowl configuration: Single
 Installation: Wall-mount
 Bowl area (Only): Length: 14" (356 mm)
 Width: 11" (279 mm)
 With overflow: Yes
 Water depth: 4-7/16" (113 mm)

Number of deck holes: 3
 Faucet hole spacing: 4" (102 mm)
 Faucet hole(s): 1-1/4" (32 mm)
 Drain hole: 1-3/4" (44 mm)

Notes

Install this product according to the installation instructions.

ADA compliant when installed to the specific requirements of these regulations.