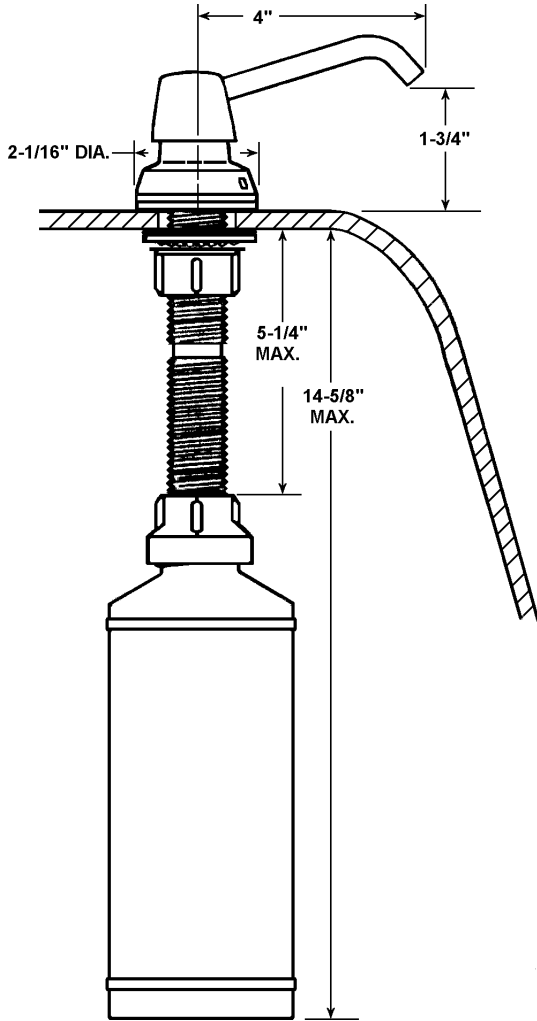




FAUCET GROUP



JHDD-2000

COMMERCIAL SOAP DISPENSER

SUBMITTAL DATA



TECHNICAL DATA CONSTRUCTION:

Deck mounted in hole sizes 1" through 1-3/4"
 Spout assembly of polished type 304 stainless steel
 Operates with one hand using less than 5 lb. of force
 Short stroke push of spout dispenses liquid soap
 Reservoir capacity 34 fl. ounce (1.0 liter)
 Soap reservoir can be filled from top.
 Plunger and escutcheon are vandal resistant
 Requires special key to unlock spout for filling
 Body and shank are high impact resistant ABS
 Valve equipped with ABS cylinder, stainless steel spring, U-packing seal and duckbills.

FINISH

Polished chrome

A.D.A. COMPLIANT

Yes

VARIANTS

None

OPTIONS

None

JUST MFG. COMPANY CONTINUES TO MAKE QUALITY AND FUNCTIONALITY A MARK OF THE JUST PRODUCT LINE. TO DO SO REQUIRES THAT WE RESERVE THE RIGHT TO CHANGE PRODUCT INFORMATION WITHOUT NOTICE. DIMENSIONS MAY VARY AND ARE SUBJECT TO CHANGE WITHOUT NOTICE. NO RESPONSIBILITY IS ASSUMED FOR USE OF SUPERCEDED OR VOIDED DATA. FOR THE MOST CURRENT AND ACCURATE INFORMATION REGARDING THE COMPLETE LINE OF JUST SINKS, FAUCETS AND DRAINS, CLICK ON THE *SPEC LINE DRAWINGS* LINK ON OUR WEB SITE AT www.justmfg.com

Job Name _____	
Customer _____	
Architect/Engineer _____	
APPROVED FOR MANUFACTURING	
MODEL NO. _____	QTY. _____
COMPANY _____	
TITLE _____	DATE _____
SIGNATURE _____	

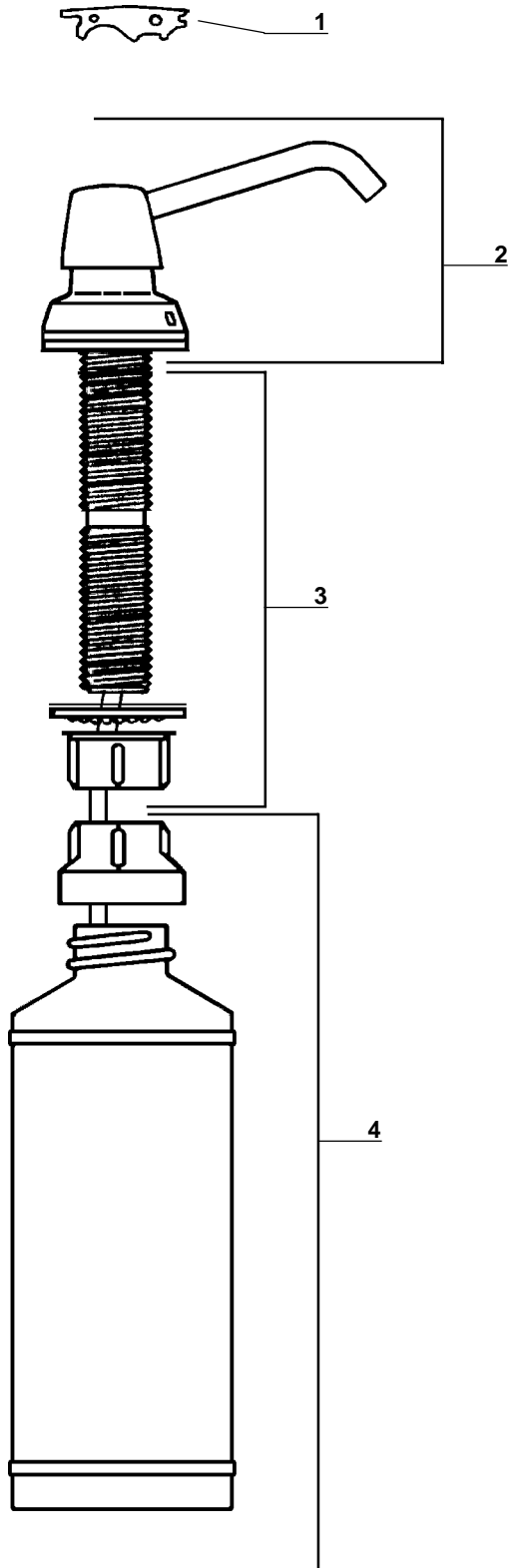
REVISED-5/2004

JUST MANUFACTURING COMPANY	
9233 KING STREET . FRANKLIN PARK . ILLINOIS . 60131-2111	
PH: 847-678-5150 . FAX: 847-678-6817	
E-MAIL: custserv@justmfg.com . www.justmfg.com	



FAUCET GROUP

COMMERCIAL SOAP DISPENSER



Item No.	Part No.	Description
1	24-17	Key
2	822-219	Soap Pump Assembly - 4" Spout Includes Supply Tube
3	822-202	Mounting Group
4	822045	Container & Cap

JUST MFG. COMPANY CONTINUES TO MAKE QUALITY AND FUNCTIONALITY A MARK OF THE JUST PRODUCT LINE. TO DO SO REQUIRES THAT WE RESERVE THE RIGHT TO CHANGE PRODUCT INFORMATION WITHOUT NOTICE. DIMENSIONS MAY VARY AND ARE SUBJECT TO CHANGE WITHOUT NOTICE. NO RESPONSIBILITY IS ASSUMED FOR USE OF SUPERCEDED OR VOIDED DATA. FOR THE MOST CURRENT AND ACCURATE INFORMATION REGARDING THE COMPLETE LINE OF JUST SINKS, FAUCETS AND DRAINS, CLICK ON THE **SPEC LINE DRAWINGS** LINK ON OUR WEB SITE AT www.justmfg.com

JUST MANUFACTURING COMPANY
 9233 KING STREET . FRANKLIN PARK . ILLINOIS . 60131-2111
 PH: 847-678-5150 . FAX: 847-678-6817
 E-MAIL: custserv@justmfg.com . www.justmfg.com