

K

**SMITH® JAY R. SMITH MFG. CO.®**  
 MEMBER OF MORRIS GROUP INTERNATIONAL  
 POST OFFICE BOX 3237  
 MONTGOMERY, ALABAMA 36109-0237 (USA)  
 TEL: 334-277-8520 FAX: 334-272-7396 www.jrsmith.com



LOCATION

DRAWING NUMBER  
S4131

SIZE  
A

SCALE:  
NONE

DATE:  
2-16-70

APPROVED BY:  
JM

CHECKED BY:  
BH

DRAWN BY:  
RK

**4131 SERIES**

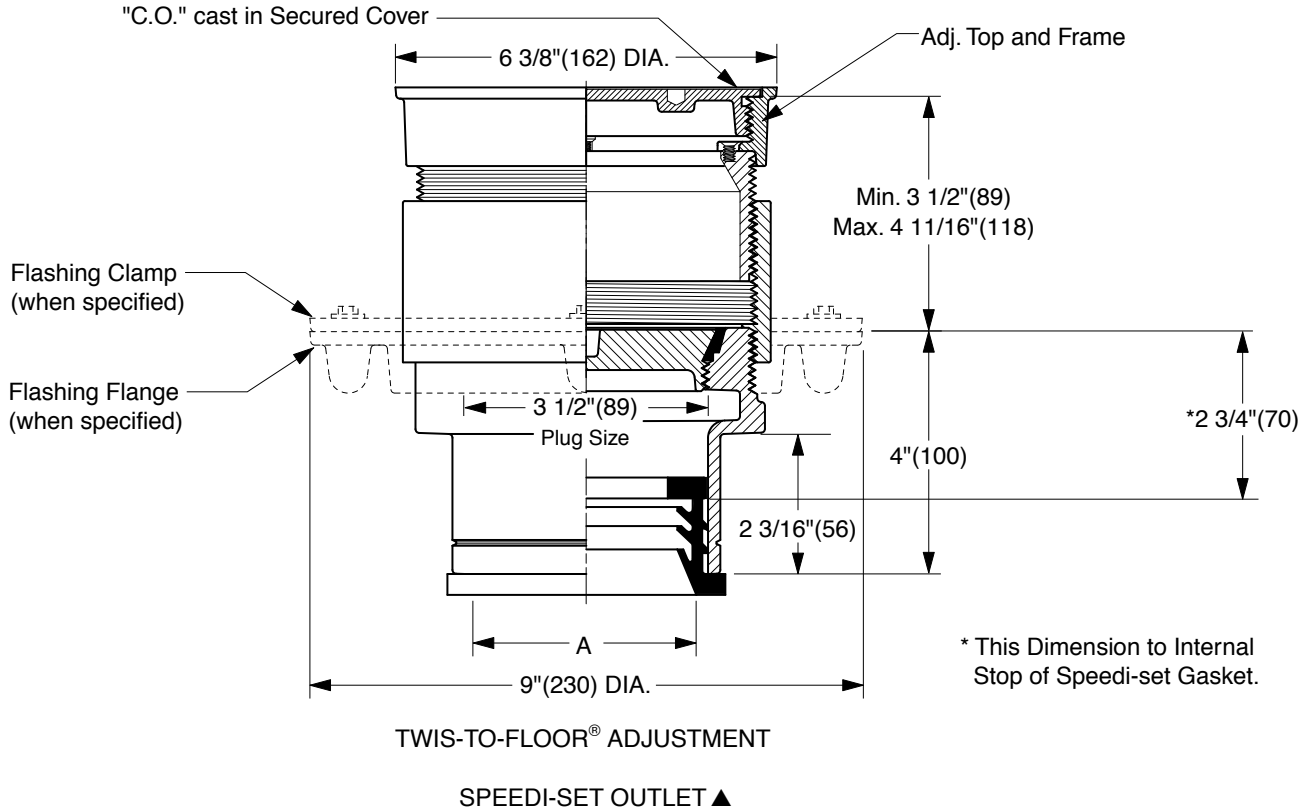
WE CAN ASSUME NO RESPONSIBILITY FOR USE OF SUPERSEDED OR VOID DATA

DIMENSIONS ARE SUBJECT TO MANUFACTURERS TOLERANCE AND CHANGE WITHOUT NOTICE

# FINISHED FLOOR CLEANOUTS WITH "TWIS-TO-FLOOR®" ADJUSTABLE TOPS

## ROUND NICKEL BRONZE TOP WITH THREADED SPANNER WRENCH COVER

**FUNCTION:** Used in finished floors subjected to pedestrian traffic when threaded watertight cover is desired.



"A" (Pipe Size) = 02(50), 03(75) or 04(100)

- Fig. 4131L.....Gasket Seal - ABS Plug
- Fig. 4132L.....Gasket Seal - Bronze Plug
- Fig. 4133L.....Taper Thread - Bronze Plug
- Fig. 4134L.....Taper Thread - ABS Plug

(Twis-to-Floor® design shown with gasketed plug.)

**NOTE:** Dimensions shown in parentheses are in millimeters.

**REGULARLY FURNISHED:**  
 Duco Cast Iron Cleanout with Round Adjustable Scoriated Secured Nickel Bronze Top. Closure Plug Type as Indicated By Figure Number Selected.

- VARIATIONS:**
- Flashing Flange -F
  - Flange with Flashing Clamp -F-C
  - With Spanner Wrench -SW

▲ Available in Extra Heavy, Service Weight or NO-HUB.

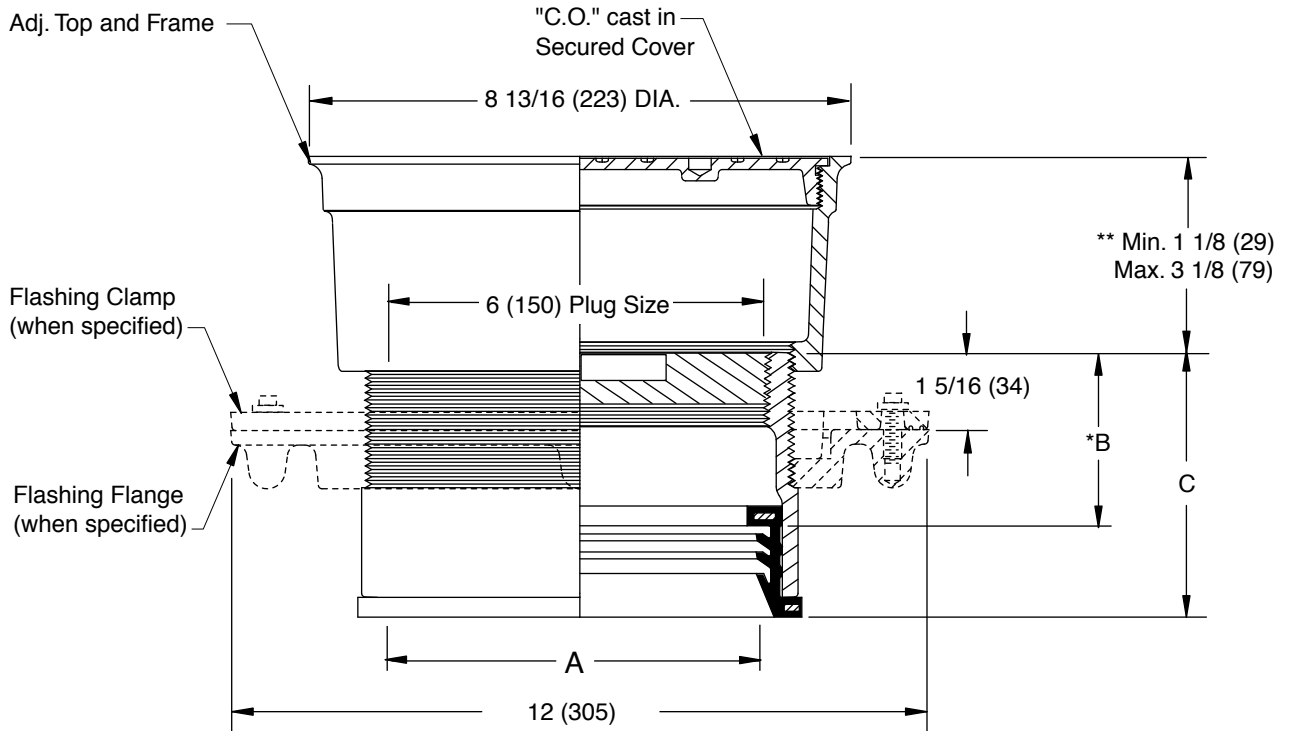
- OPTIONAL MATERIALS:**
- Galvanized Cast Iron -G
  - Polished Bronze Top -PB

REV.	DATE	DESCRIPTION	BY	CKD. BY	WEIGHT POUNDS	VOLUME CUBIC FEET	FIGURE NUMBER
K J H	07/29/02 04/12/01 10/17/00	Corrected Clamp & Flange view Added dimension and note New design	JJ JJ JJ	CL CL BS			<b>4131 SERIES</b>

# FINISHED FLOOR CLEANOUTS WITH "TWIS-TO-FLOOR®" ADJUSTABLE TOPS

## ROUND NICKEL BRONZE TOP WITH THREADED SPANNER WRENCH COVER

**FUNCTION:** Use in finished floors subjected to pedestrian traffic when threaded watertight cover is desired.



**SPEEDI-SET OUTLET ▲**

"A" (Pipe Size) = 06(150) & 08(200)

A SIZE	B	C
06(150)	*3(76)	4 9/16(117)
08(200)	*3 1/4(83)	4 13/16(121)

▲ Available in "L" Service Weight, "LXH" Extra Heavy or "LPVC" PVC or ABS. "LPVC" applicable to 06(150) Pipe Size only.  
 \* This Dimension to Internal Stop of Speedi-Set Gasket.  
 \*\* When Flange-F is specified Min. 1 1/8 (29) becomes 1 5/8 (41)

**"TWIS-TO-FLOOR®" ADJUSTMENT**

**SPEEDI-SET OUTLET ▲**

Fig. 4133L.....Taper Thread - Bronze Plug

**REGULARLY FURNISHED:**  
 Duco Cast Iron Cleanout with Taper Thread Bronze Plug and Round Adjustable Scoriated Secured Nickel Bronze Top.

**VARIATIONS:**  
 Flashing Flange -F  
 Flange with Flashing Clamp -F-C  
 Spanner Wrench -SW

**OPTIONAL MATERIALS:**  
 Galvanized Cast Iron -G  
 Polished Bronze Top -PB

**NOTE:** Dimensions shown in parentheses are in millimeters.

DRAWING NUMBER  
**S4131BS**

SIZE  
**A**

SCALE:  
**NONE**

DATE:  
**5-5-06**

APPROVED BY:  
**CEL**

CHECKED BY:  
**CL**

DRAWN BY:  
**RN**

**4133**

FIGURE NUMBER

REV.	DATE	DESCRIPTION	BY	CKD. BY

WEIGHT POUNDS	VOLUME CUBIC FEET

**FIGURE NUMBER**  
**4133**