

# Three Phase™

Triple Module, Commercial/Industrial Thermostatic 3-Phase Heater

## Specifications

Tankless Electric Water Heater

### Applications

- Eye/face wash
- Where tepid water is needed
- Multiple lavatories
- Restaurants and other food service requirements
- Booster applications
- Manufacturing and wash down processes
- Commercial and industrial

### Performance Features

- Hot or cold water feed
- Available electrical models are 480V Delta (ED models) or 208V Delta (EX models) no neutral leg required
- Fitted with 1/2" compression fittings and electrical entry on the bottom
- Built in over temp protection
- Flow switch activates heater only on demand (no standby heat loss)
- Save water – "Point of use application"
- Continuous hot water – no storage capacity to run out
- Factory set temperature available. Range ambient to 180°F
- Capacity to 5 GPM (T3 only), 4 GPM (T2T)
- Thermostatic control. Microprocessor provides stable outlet temperatures
- Warranty, five (5) years limited on leaks, one (1) year parts
- Field serviceable replaceable cartridge element

### Optional Features

- Emergency eye/face wash ANSI Z358.1 (EE)
- Factory set ambient to 180°F (FS)
- Multi lavs 0.3 turn on. Staged up to 4 lavs 105°F-110°F temp setting, aerators supplied (ML)
- Sanitation 180°F (S)
- N4, N4X (304SS) enclosures

### Product Specifications:

|   |   |
|---|---|
| <b>Dimensions:</b>                      | 18.25" x 12.25" x 4.5"                                |
| <b>Weight:</b>                          | 15 lb   |
| <b>Cover:</b>                           | Powder Coated Steel                                   |
| <b>Color:</b>                           | White   |
| <b>Element:</b>                         | Triple replaceable Nichrome cartridge elements insert |
| <b>Fittings:</b>                        | 1/2" compression fittings at bottom of unit           |
| <b>Min. Dynamic Operating Pressure:</b> | 25 PSI  |
| <b>Max. Dynamic Operating Pressure:</b> | 150 PSI   |

U.S. Patent #'s: 4,762,980 and 4,960,976

### Special Design Service

Inquiries for units for unique applications are welcome.  
Call our Technical Service department at **1-800-543-6163**.



**NO LEAD\***  
\*The wetted surface of this product contacted by water contains less than 0.25% lead and meets NSF/ANSI 372

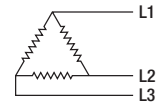


### Electrical configuration and requirements

All Eemax three phase units are custom made to order and as such, are non-returnable and non-refundable. Check your electrical supply, making sure all criteria for operating your Eemax water heater are met.

### Eemax 600V, 480V and 208V Three Phase Units Delta Configuration

Requires: 3 Lives and 1 Ground (earth)



### Suggested Specification

Tankless water heater shall be an Eemax "Three Phase" model number \_\_\_\_\_.

Element shall be replaceable cartridge insert. Element shall be iron free, Nickel Chrome material. Heater shall be fitted with 1/2" compression fittings. Heater shall be installed upright with water connections on bottom. Hot water storage tanks prohibited. Unit shall be Eemax or approved equal.

NOTE: Refer to rating chart for product information.

Enclosure to be fitted with the following features:

- \_\_\_ **EE** Emergency Eyewash. Meets ANSI tepid water requirements
- \_\_\_ **FS** Factory Set. Customer specified factory-set not to exceed temperature ambient to 180°F
- \_\_\_ **ML** Multi lavs 0.3 GPM turn on, staged up to 4 lavs 105°F-110°F temp setting, aerators supplied
- \_\_\_ **S** Sanitation. Factory preset not to exceed temperature of 180°F
- \_\_\_ **N4** NEMA 4 steel cabinet with powder coat finish
- \_\_\_ **N4X** NEMA 4 stainless steel, corrosion-resistant cabinet

# Three Phase

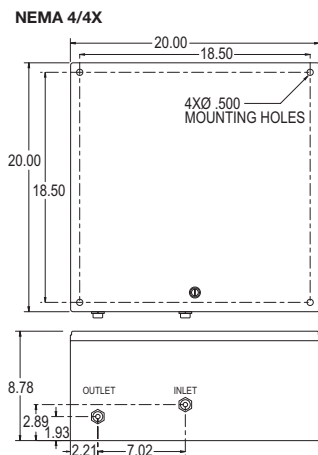
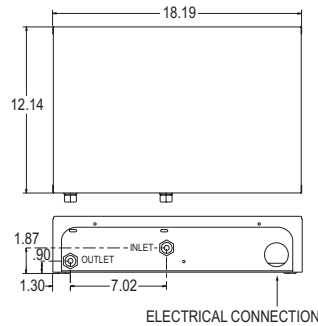
Triple Module, Commercial/Industrial Thermostatic 3-Phase Heater

## Specifications

Tankless Electric Water Heater

### Suffix Definitions

|           |  |
|-----------|--|
| <b>EE</b> | Meets ANSI Z358.1 emergency eye/face wash tepid water requirements   |
| <b>FS</b> | Factory set ambient to 180°F   |
| <b>ML</b> | Multi lavs 0.3 turn on. Staged up to 4 lavs 105°F-110°F temp setting |
| <b>S</b>  | Sanitation 180°F   |



| MODEL NUMBER                       | KW | AMPS PER PHASE | RECOMMENDED WIRE SIZE (75° C/CU) | TURN-ON (GPM) | MAX FLOW (GPM) | TEMPERATURE RISE °F |         |         |         |         |
|------------------------------------|----|----------------|----------------------------------|---------------|----------------|---------------------|---------|---------|---------|---------|
|                                    |    |                |                                  |               |                | 2.0 GPM             | 2.5 GPM | 3.0 GPM | 4.0 GPM | 5.0 GPM |
| <b>VOLTS 208 Three Phase Delta</b> |    |                |                                  |               |                |                     |         |         |         |         |
| C EX180T2T                         | 18 | 50/phase       | 8 AWG                            | 0.7           | 4.0            | 61°                 | 49°     | 41°     | 31°     | –       |
| C EX180T2T EE                      | 18 | 50/phase       | 8 AWG                            | 0.7           | 4.0            | †                   | 49°     | 41°     | 31°     | –       |
| C EX180T2T S                       | 18 | 50/phase       | 8 AWG                            | 0.7           | 4.0            | 61°                 | 49°     | 41°     | 31°     | –       |
| C EX180T2T ML                      | 18 | 50/phase       | 8 AWG                            | 0.3           | 4.0            | 61°                 | 49°     | 41°     | 31°     | –       |
| C EX180T2T FS                      | 18 | 50/phase       | 8 AWG                            | 0.7           | 4.0            | 61°                 | 49°     | 41°     | 31°     | –       |
| C EX180T3                          | 18 | 50/phase       | 8 AWG                            | 2.0           | 5.0            | 61°                 | 49°     | 41°     | 31°     | 25°     |
| C EX180T3 EE                       | 18 | 50/phase       | 8 AWG                            | 2.0           | 5.0            | †                   | 49°     | 41°     | 31°     | 25°     |
| C EX180T3 S                        | 18 | 50/phase       | 8 AWG                            | 2.0           | 5.0            | 61°                 | 49°     | 41°     | 31°     | 25°     |
| C EX180T3 FS                       | 18 | 50/phase       | 8 AWG                            | 2.0           | 5.0            | 61°                 | 49°     | 41°     | 31°     | 25°     |
| C EX240T2T                         | 24 | 67/phase       | 4 AWG                            | 0.7           | 4.0            | 82°                 | 66°     | 55°     | 41°     | –       |
| C EX240T2T EE                      | 24 | 67/phase       | 4 AWG                            | 0.7           | 4.0            | †                   | †       | 55°     | 41°     | –       |
| C EX240T2T S                       | 24 | 67/phase       | 4 AWG                            | 0.7           | 4.0            | 82°                 | 66°     | 55°     | 41°     | –       |
| C EX240T2T ML                      | 24 | 67/phase       | 4 AWG                            | 0.3           | 4.0            | 82°                 | 66°     | 55°     | 41°     | –       |
| C EX240T2T FS                      | 24 | 67/phase       | 4 AWG                            | 0.7           | 4.0            | 82°                 | 66°     | 55°     | 41°     | –       |
| C EX240T3                          | 24 | 67/phase       | 4 AWG                            | 2.0           | 5.0            | 82°                 | 66°     | 55°     | 41°     | 33°     |
| C EX240T3 EE                       | 24 | 67/phase       | 4 AWG                            | 2.0           | 5.0            | †                   | †       | 55°     | 41°     | 33°     |
| C EX240T3 S                        | 24 | 67/phase       | 4 AWG                            | 2.0           | 5.0            | 82°                 | 66°     | 55°     | 41°     | 33°     |
| C EX240T3 FS                       | 24 | 67/phase       | 4 AWG                            | 2.0           | 5.0            | 82°                 | 66°     | 55°     | 41°     | 33°     |
| <b>VOLTS 480 Three Phase Delta</b> |    |                |                                  |               |                |                     |         |         |         |         |
| ED020480T2T                        | 20 | 24/phase       | 10 AWG                           | 0.7           | 4.0            | 68°                 | 55°     | 46°     | 34°     | –       |
| ED020480T2T S                      | 20 | 24/phase       | 10 AWG                           | 0.7           | 4.0            | 68°                 | 55°     | 46°     | 34°     | –       |
| ED020480T2T ML                     | 20 | 24/phase       | 10 AWG                           | 0.3           | 4.0            | 68°                 | 55°     | 46°     | 34°     | –       |
| ED020480T2T FS                     | 20 | 24/phase       | 10 AWG                           | 0.7           | 4.0            | 68°                 | 55°     | 46°     | 34°     | –       |
| ED020480T3                         | 20 | 24/phase       | 10 AWG                           | 2.0           | 5.0            | 68°                 | 55°     | 46°     | 34°     | 27°     |
| ED020480T3 EE                      | 20 | 24/phase       | 10 AWG                           | 1.0           | 5.0            | †                   | †       | 55°     | 46°     | 27°     |
| ED020480T3 S                       | 20 | 24/phase       | 10 AWG                           | 2.0           | 5.0            | 68°                 | 55°     | 46°     | 34°     | 27°     |
| ED024480T2T                        | 24 | 29/phase       | 10 AWG                           | 0.7           | 4.0            | 82°                 | 66°     | 55°     | 41°     | –       |
| ED024480T2T S                      | 24 | 29/phase       | 10 AWG                           | 0.7           | 4.0            | 82°                 | 66°     | 55°     | 41°     | –       |
| ED024480T2T ML                     | 24 | 29/phase       | 10 AWG                           | 0.3           | 4.0            | 82°                 | 66°     | 55°     | 41°     | –       |
| ED024480T2T FS                     | 24 | 29/phase       | 10 AWG                           | 0.7           | 4.0            | 82°                 | 66°     | 55°     | 41°     | –       |
| ED024480T3                         | 24 | 29/phase       | 10 AWG                           | 2.0           | 5.0            | 82°                 | 66°     | 55°     | 41°     | 33°     |
| ED024480T3 EE                      | 24 | 29/phase       | 10 AWG                           | 1.0           | 5.0            | †                   | †       | 55°     | 41°     | 33°     |
| ED024480T3 S                       | 24 | 29/phase       | 10 AWG                           | 2.0           | 5.0            | 82°                 | 66°     | 55°     | 41°     | 33°     |
| ED032480T2T                        | 32 | 38/phase       | 8 AWG                            | 0.7           | 4.0            | 109°                | 87°     | 73°     | 55°     | –       |
| ED032480T2T S                      | 32 | 38/phase       | 8 AWG                            | 0.7           | 4.0            | 109°                | 87°     | 73°     | 55°     | –       |
| ED032480T2T ML                     | 32 | 38/phase       | 8 AWG                            | 0.3           | 4.0            | 109°                | 87°     | 73°     | 55°     | –       |
| ED032480T2T FS                     | 32 | 38/phase       | 8 AWG                            | 0.7           | 4.0            | 109°                | 87°     | 73°     | 55°     | –       |
| ED032480T3                         | 32 | 38/phase       | 8 AWG                            | 2.0           | 5.0            | 109°                | 87°     | 73°     | 55°     | 44°     |
| ED032480T3 EE                      | 32 | 38/phase       | 8 AWG                            | 1.0           | 5.0            | †                   | †       | †       | 55°     | 44°     |
| ED032480T3 S                       | 32 | 38/phase       | 8 AWG                            | 2.0           | 5.0            | 109°                | 87°     | 73°     | 55°     | 44°     |
| ED032480T3 FS                      | 32 | 38/phase       | 8 AWG                            | 2.0           | 5.0            | 109°                | 87°     | 73°     | 55°     | 44°     |

† Temperature electronically limited to factory preset not to exceed temperature.

\*C\* indicates evaluation and compliance to either Underwriters Laboratories (UL) or Intertek (ETL) under CAN/CSA-C22.2 No. 64/No. 88. CNL SKUs are Canada specific.