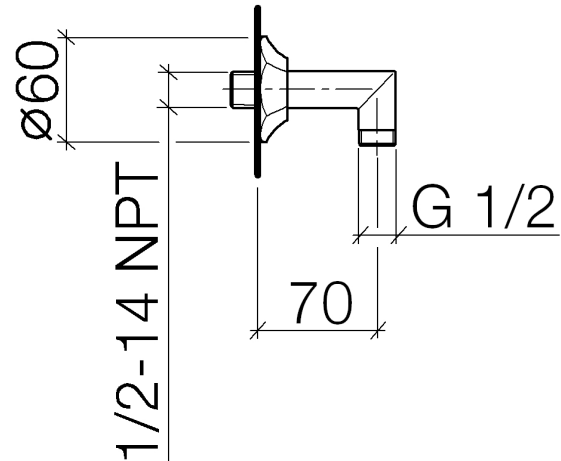




**Product specifications**

- 1/2" Shower outlet
- Flange diameter 2-3/8"
- 1/2" connection

**Internal backflow preventer.**



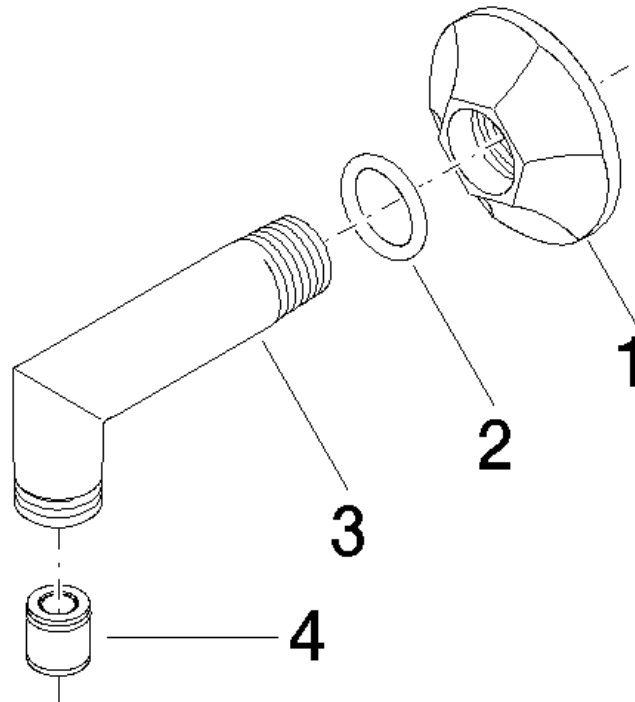
**Surfaces**

- |                 |             |
|-----------------|-------------|
| • chrome        | 28450370-00 |
| • matt platinum | 28450370-06 |
| • platinum      | 28450370-08 |
| • brass         | 28450370-09 |

**Accessories required**

- Rough-in adapter; 35 080 970

**Exploded assembly drawing**





**Order quantity**

<b>No.</b>	<b>Article number</b>	<b>Name</b>	<b>Installation quantity</b>
1	092737003ff	rosette	1
2	09141002690	seal	1
3	091103021ff	connection	1
4	09230114190	back-flow preventer	1

**Flow rate chart**

