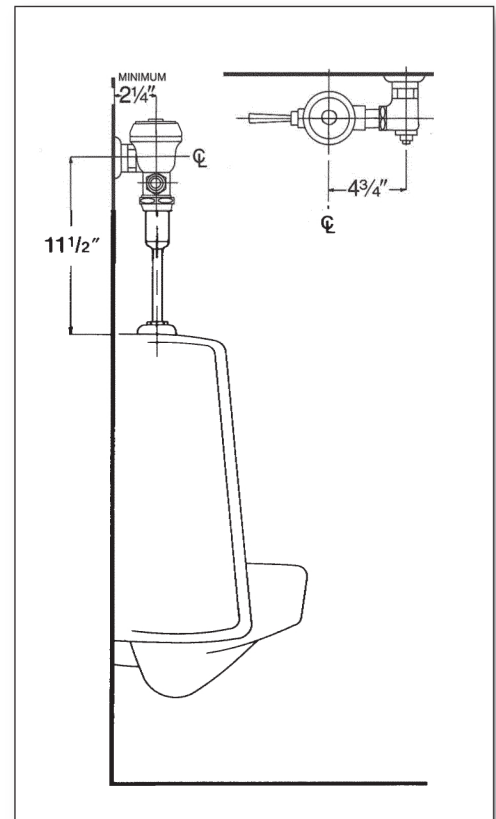


U451-0.125**FLUSHBOY ULTRA****HIGH EFFICIENCY FLUSH VALVE**
(0.125gpf / 0.5Lpf Per Flush)

Polished chrome plated flush valve, chloramine resistant diaphragm, 0.125 gallons per flush, externally adjustable, with 3/4" vandle resistant capped screwdriver angle stop with back-check, renewable maiwith KwikFit ground joint tailpiece, vacuum breaker, wall flange, spud nut and spud flange for 3/4" top spud.

Variations

- SC – SlipFit connection (adjustable joint tailpiece)
- AM – Antimicrobial Coated Handle
- SH – SmartHandle Dual-Flush with Antimicrobial Coating
- T5 – Non-Hold-Open Feature
- T6 – Wall flange with allen set screw
- T36 – Solid ring wall support for flush connection
- T42 – Sweat adapter kit for stop
- T46 – Split ring wall support for flush connection
- T106– Mashaerator Self-Cleaning Bypass

Remarks

P.O. Box 411 · Charlottesville · VA · 22902 · USA
 Phone: (434) 296-0166 · Fax (434) 977-3596
 Email: info@delanyproducts.com
 Web: www.delanyproducts.com
 ©2014

