



DEARBORN SAFETY SERIES ADA COMPLIANT TUBULAR COVERS

Job Name _____	Item # _____
Location _____	
Engineer _____	Contractor _____
PO # _____	Tag _____
Representative _____	

SCHEDULE 40 TUBULAR P-TRAP COVER

SPECIFICATIONS

Design must open at 180° for easy installation and secure fit. Product shall be form fitting to provide a long lasting aesthetic look. Product shall be comprised of EVA foam material that will not fade or discolor over time, and its flexibility must allow for easy accommodation for a secure fit around supply line offsets. Product must accommodate both 1-1/4" & 1-1/2" schedule 40 tubular with and without cleanouts. Product must be certified antimicrobial per ISO 846 Method C. Valve cover securely encloses supply line stop, but is easily removed when valve must be quickly closed.

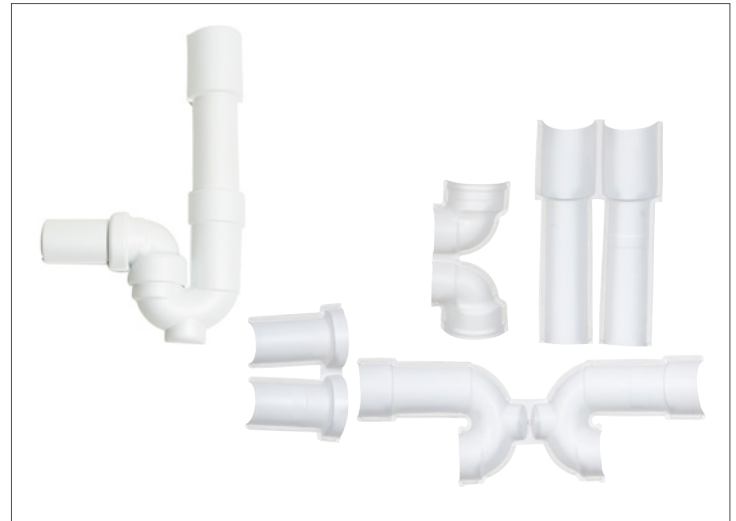
APPROVALS & LISTINGS

- IAPMO PS-94 - Insulated Protectors for P-Traps, Supply Stops, and Risers
- ASTM C1822-2018 - Insulating Covers on Accessible Lavatory Piping
- ASME A112.18.9 - Material and performance standard for exposed waste and supplies for public/commercial and private/residential buildings
- ASTM E84 (25/450) - Surface Burning Characteristics
- ASTM G21 & G22, ISO 846 Method C (Anti-fungal, Antibacterial, Anti-microbial)
- Canada Barrier Free Code

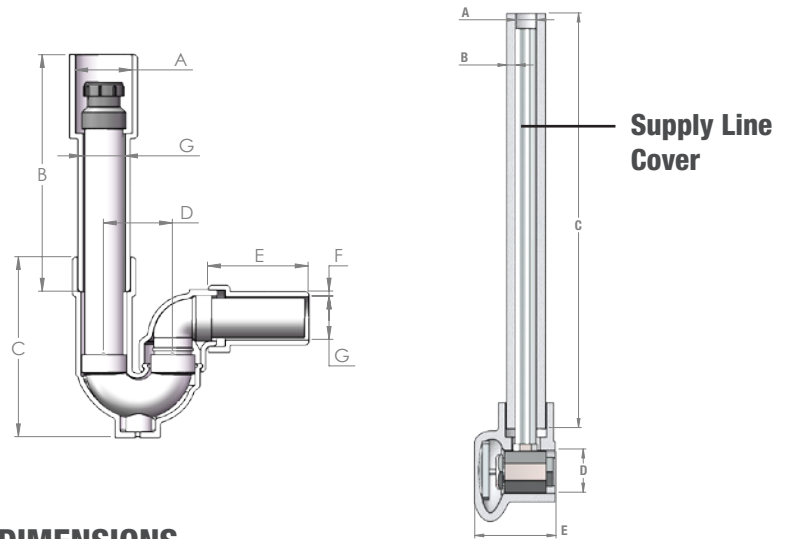


FEATURES & MATERIALS

Material	EVA insulating material
Durometer	Shore C
UV Resistance	Will not fade or discolor
Fastening	Secure fit hook and loop
Color	White
Maintenance	Product can be cleaned with all common and industrial cleaning agents
Painting	Product can be painted with latex based coatings.
Trimming	Easily trimmed with all common cutting tools (scissors, razor knife, shears, etc)



Supply Stop Cover



DIMENSIONS

[A]:	2.9"
[B]:	12"
[C]:	9.13"
[D]:	3.5"
[E]:	5.1"
[F]:	0.25"
[G]:	2.2"

DIMENSIONS SUPPLY LINE

[A]:	0.70"
[B]:	0.25"
[C]:	12"
[D]:	1.25"
[E]:	2.35"

Access BIM/Revit content through www.oatey.com



DEARBORN SAFETY SERIES ADA COMPLIANT TUBULAR COVERS

PRODUCT SELECTOR

DEARBORN SAFETY SERIES ADA COMPLIANT TUBULAR COVERS			
✓	Product Number	Description	CTN. QTY.
	ADA094	Single Supply and Valve Cover (1 Each)	10
	ADA095	Wall Tube Extension Cover	10
	ADA097	Offset Grid Drain Cover	10
	ADA098	Two Supply and Valve Covers (2 Each)	10
	ADA099	Universal Plastic & Brass P-Trap and Straight Grid Drain Cover Kit	10
	ADA100	Universal P-Trap Full Cover Kit, Offset Grid Drain, Two Supply Line and Valve Covers	10
	ADA101	Universal P-Trap Full Cover Kit, Straight Grid Drain, Two Supply Line and Valve Covers	10
	ADA103	Schedule 40 P-Trap and Straight Grid Drain Cover Kit	10
	ADA104	Schedule 40 P-Trap Full Cover Kit, Single Supply Line & Valve Cover	10
	ADA105	Schedule 40 P-Trap Full Cover Kit, Two Supply Line & Valve Cover	10
	ADA106*	Universal Plastic & Brass Offset Waste Arm Cover Kit	10
	ADA107*	Universal Plastic & Brass Center & End Outlet Waste Cover Kit	10
	ADA108	Universal Plastic & Sink Trap (Mass Code) and Straight Grid Drain Cover Kit	10
	ADA110	Universal P-Trap Full Cover Kit, Straight Grid Drain, Single Supply Line and Valve Cover	10

*For complete installation and code compliance, use with ADA099, ADA100, ADA101, ADA108 or ADA110 to cover p-traps.