

CD Technical Data Sheet

ACCESSIBLE XSS5030WI

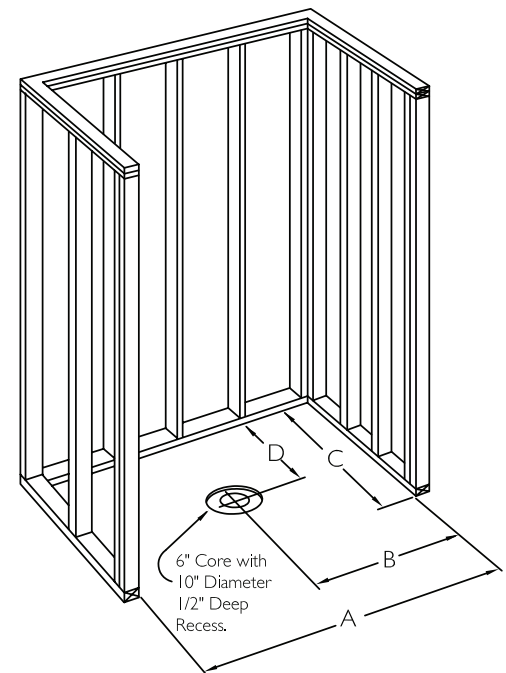
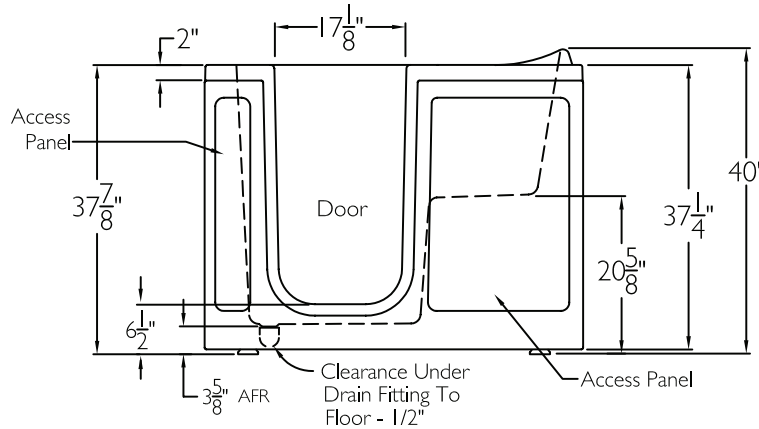
ACCESSIBLE
Enhancing Livable Design

TECHNICAL INFORMATION

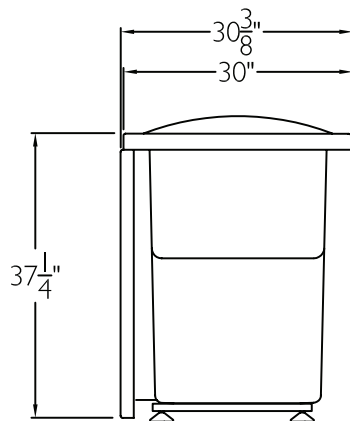
OD 50" x 30" x 37.875"

HANDED BY Seat

FRONT VIEW



SEAT END VIEW



FRAMING DIMENSIONS

A 50.25" B 8.5"
C 30" D 15"

ADDITIONAL CODES

ICC/ANSI 17.1, ANSI 24.2, BOCA,
NAHBUPC, Southern Building Code

cd
comfortdesigns

comfortdesignsbathware.com | 800.443.7269