

# CD Product Sheet

## COMMERCIAL CODE COMPLIANT

### XST6336BF COL U-BAR

ADA/ANSI code compliant

NOTE: For ADA/ANSI compliance, pressure balancing mixing valve, hand-held shower with slide bar, vacuum breaker and 60' hose must be installed per ADA/ANSI guidelines.

**CODE COMPLIANT**  
Enhancing Livable Design

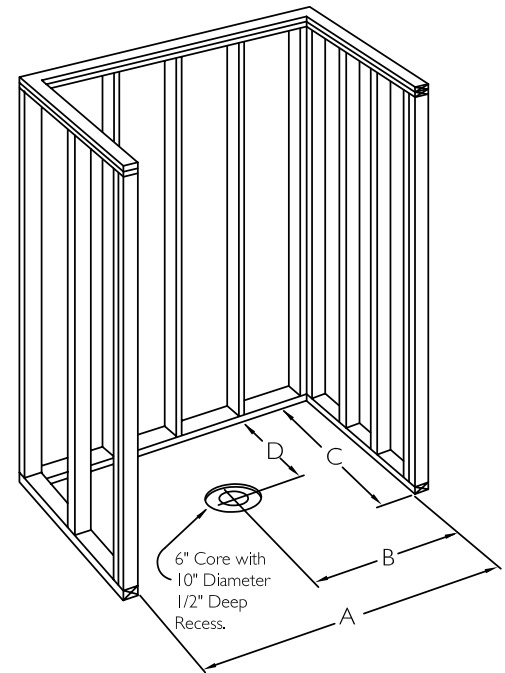
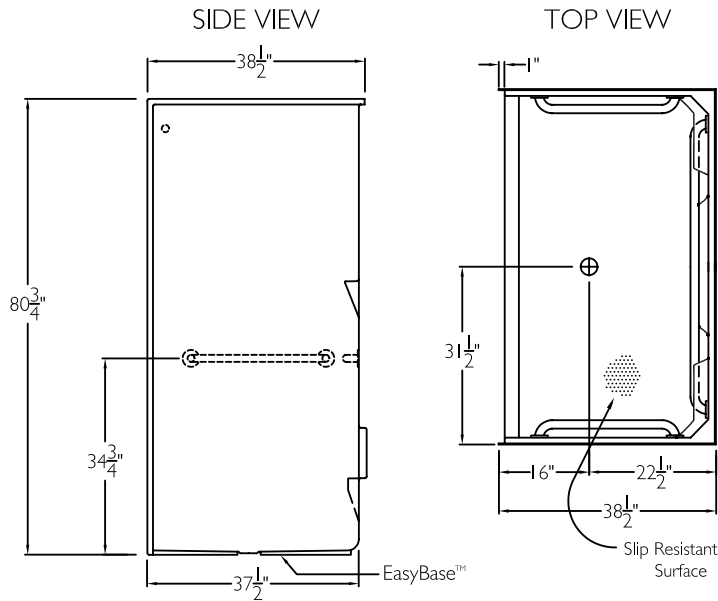
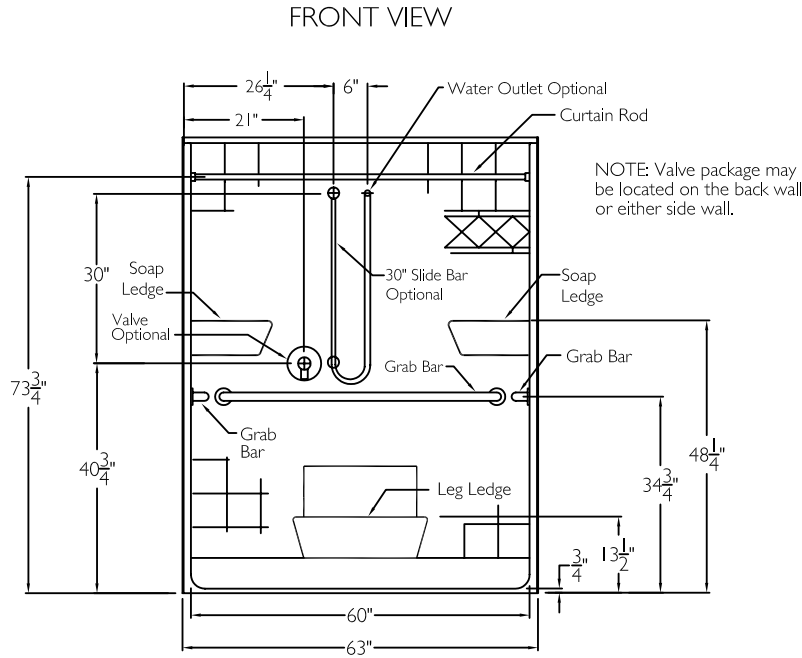
#### TECHNICAL INFORMATION

OD 63" x 38.5" x 80.75"

ID 60" x 36.5" center point

LOAD FACTOR 1.9

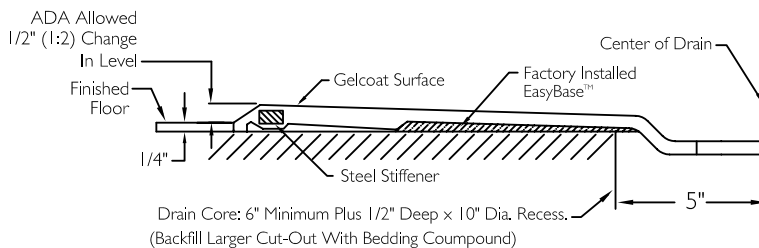
HANDED BY Seat



#### FRAMING DIMENSIONS

A 63.25"    B 31.625"  
C 38.5"    D 22.5"

#### CROSS SECTION OF THRESHOLD



#### ADDITIONAL CODES

ICC/ANSI I 7.1, ANSI I 24.2, ADAAG, BOCA, NAHBUPC, Southern Building Code

**cd**  
comfortdesigns