

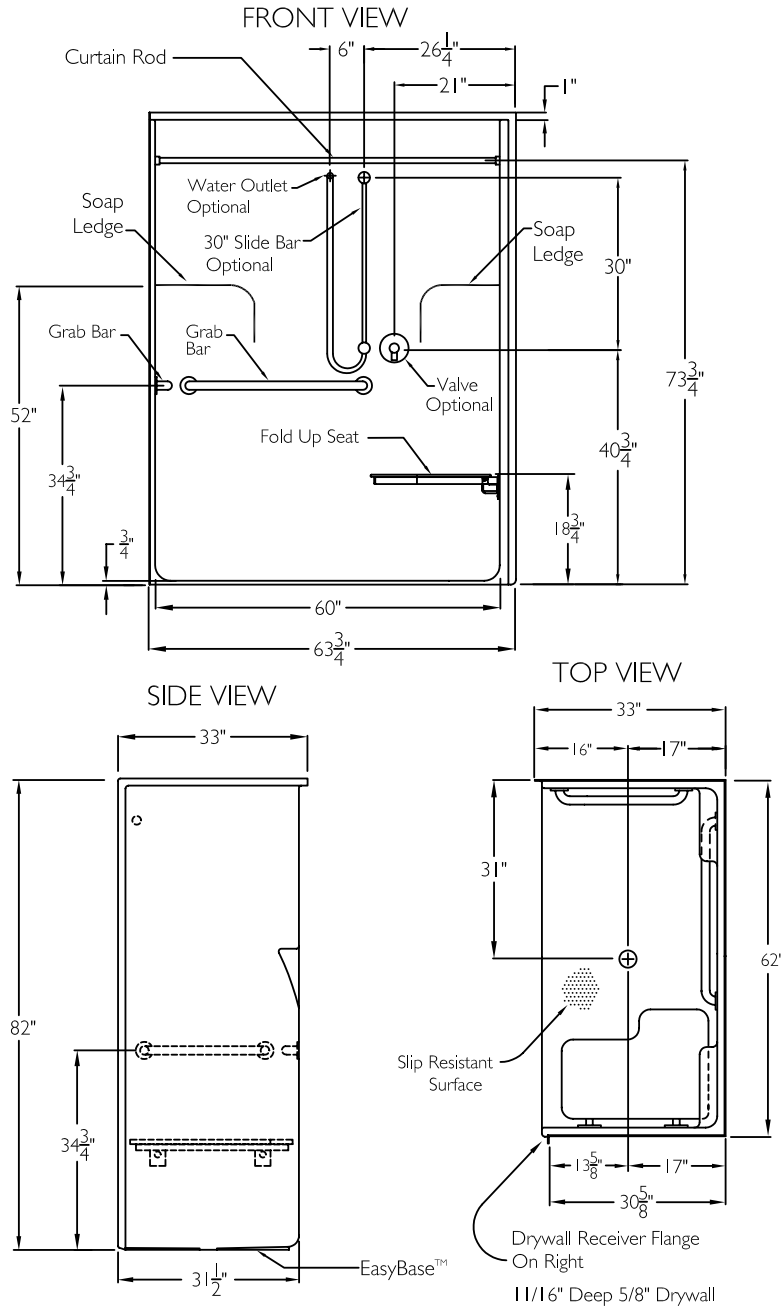
CD Product Sheet

COMMERCIAL CODE COMPLIANT

XSS6282BF L-BAR

ADA/ANSI code compliant

NOTE: For ADA/ANSI compliance, pressure balancing mixing valve, hand-held shower with slide bar, vacuum breaker and 60' hose must be installed per ADA/ANSI guidelines.



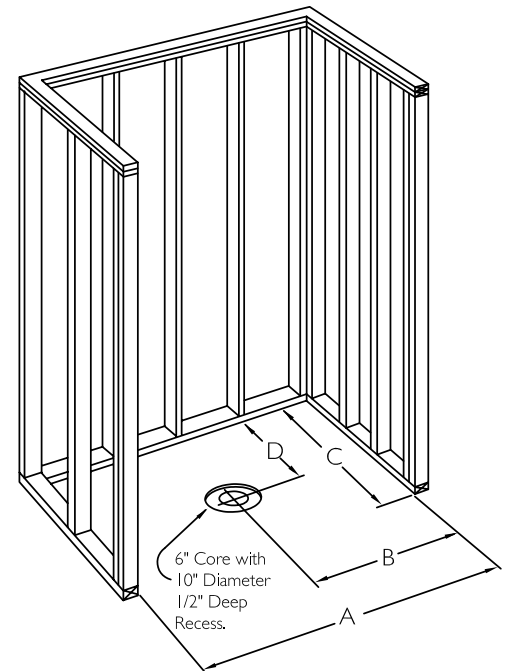
TECHNICAL INFORMATION

OD 63.75" x 33" x 82"

ID 60" x 30" center point

LOAD FACTOR 1.3

HANDED BY Seat



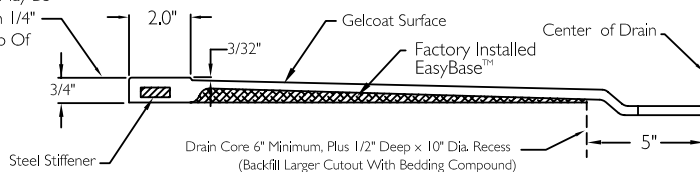
FRAMING DIMENSIONS

A 64" B 31.125"
C 33" D 17"

ADDITIONAL CODES

ICC/ANSI I 7.1, ANSI I 24.2, ADAAG, BOCA, NAHBUPC, Southern Building Code

Coordinate Finished Floor Height For Code. Finished Floor May Be No More Than 1/4" Below The Top Of Compartment Threshold.



CODE COMPLIANT
Enhancing Livable Design

