



- Recessed
- Two Adjustable Shelves
- Reversible
- Bradex®**

Product Materials

CABINET: sturdy one-piece, white injection-molded polystyrene.

DOOR: heavy-duty steel, finished with rust resistant, baked-on enamel to match cabinet, equipped with full-length piano hinge, protective door bumpers and magnetic catch.

MIRROR: No. 1 quality, distortion-free, 2mm thick float glass, with full-surround stainless steel frame and tab closure. One year warranty.

SHELVES: (2) polystyrene.

Operation

Cabinet is reversible for left or right hand door swing. Shelves are removable and adjustable.

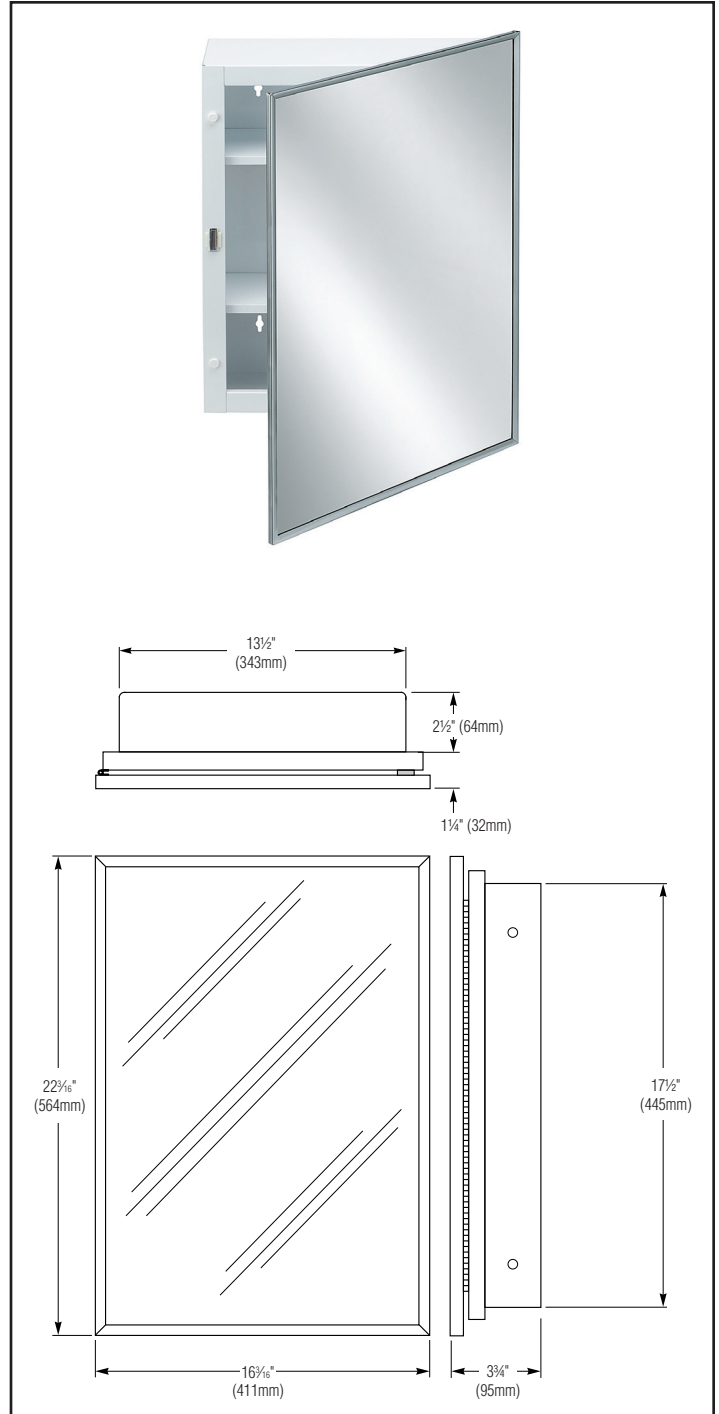
Installation

Verify all rough-in dimensions prior to installation. Cabinet requires rough wall opening of 14"W x 18"H x 3"D. Secured to framing with mounting screws (included) through holes provided.

Guide Specification

Recessed medicine cabinet shall be of sturdy polystyrene. Swing door shall have float glass mirror with full surround stainless steel channel frame with tab enclosure. Cabinet shall be equipped with two adjustable shelves, full-length piano hinge and magnetic catch.

Cabinet shall be reversible for left or right hand door swing.



Orders composed of products indicated as **Bradex®** will be available to ship in three days after receipt of order at the factory. There is no pricing penalty for this service from Bradley.